



# Bathroom Safety

# Making Everyday Life Easier

Handicare bathroom aids by Handicare have been renowned both in the home and in healthcare facilities. The complete range provides users with as much autonomy as possible while helping caregivers to assist safely. Handicare offers solutions that increase independence for people with disabilities, and at the same time simplify the care provided by family, caregivers and therapists.



## Safe

Our products conform to the highest standards and are suitable for users with a body weight of up to 330 lb (150 kg). We are ISO 9001, ISO 13485 and NKH certified.



## Practical

The design of our products is the result of extensive research and offers solutions for every situation. They are comfortable, safe, and easy to clean.



## Durable

Adaptations to changing needs are possible. All materials used are resistant to moisture, heat and cold in the bathroom.



## Ergonomics

Our products take into account the possibilities and limitations of users. They promote independent function and reduce the risk of falling.



## Design

The round shapes are hygienic, and ensure you do not get caught. Mounting points are obscured. Available in standard and luxury versions.



## General

For more information on any of our products or to order please call 1-888-637-8155 or email to: sales.us@handicare.com.

## Guaranteed Quality

Handicare bathroom solutions conform to the highest standards and comply to the requirements of NEN-EN12182 and to the directive medical devices 93/42/EEG. We are ISO 9001, ISO 13485 and NKH certified (NKH = National Quality Mark for bathroom aids).



## Colors

Handicare bathroom solutions for wall mounting are supplied standard in white, RAL 9010. Many products are also available in polished stainless steel.

Handicare introduces a new color anthracite, RAL 7021. This color matches the newest trends in modern luxury bathrooms. The new color anthracite replaces the color black.



RAL 9010, white



RAL 7021, anthracite



Polished stainless steel w/ white details



Polished stainless steel w/ anthracite details

## Materials

The products are made of:

- Coated steel
- Glass fiber reinforced nylon
- Coated stainless steel 304 (recommended for use in institutions)
- Polished stainless steel 304 (recommended for use in institutions)
- Polished stainless steel 316 (recommended for use in swimming pools)
- HT-cover = Hygiene & Transfer: coated woven polyester textile

Because of the necessary electrical isolation, products for wall mounting or floor mounting, which are not designed with plastic flanges or wall plates, will be delivered with an isolation set including heavy duty washers and caps.

## New Combi Shower and Toilet Chairs

Our range of mobile bathroom products has been updated with ample possibilities for individual adjustments.

## Fixing Materials

Bathroom products will be delivered without mounting hardware, except for bathroom accessories. A secure installation will depend on the type of wall. Working with plasterboard, pressed fiberboard or chip board, it is necessary to reinforce the wall with, for instance, waterproof plywood. The type of wall will also determine the type of wall plugs or screws to be used. Please read page 26–27 for all mounting advice.

Handicare has taken the utmost care in compiling this catalog. Product listing, availability and prices can alter at any time.

Handicare accepts no responsibility for any damage arising from the use of this information. Handicare is not liable for modified products.



# Shower Seats



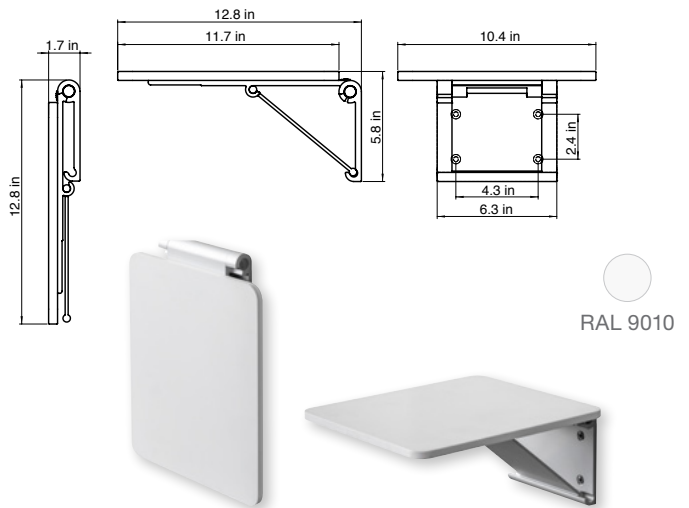
## Hassle-Free Daily Care

When showering, standing can become difficult. Handicare's shower seat offers the ideal solution. Affixed to the wall, the design is optimized for showering in a sitting position. Afterwards, it can be folded up and stowed out of the way. The width of the seat is tailored to the hip width of a typical user. Our shower seats have a water and dirt repellent coating on both the seat and backrest. This slows down absorption of substances such as urine and disinfectants and makes the seat easier to clean. Suitable for users with a body weight up to 440 lb (200 kg).\*

\*Most product safe working load (SWL) = 330 lb (150 kg); some with 440 lb (200 kg)

## Compact Shower Seat

- Antibacterial Corian seat, hinged, wall-plate anodized aluminum
- Seat width: 10.4 in (265 mm)
- Seat depth: 12.8 in (326 mm)
- Suitable for user weight up to 440 lb (200 kg)
- Includes drilling template
- Only available in the EU

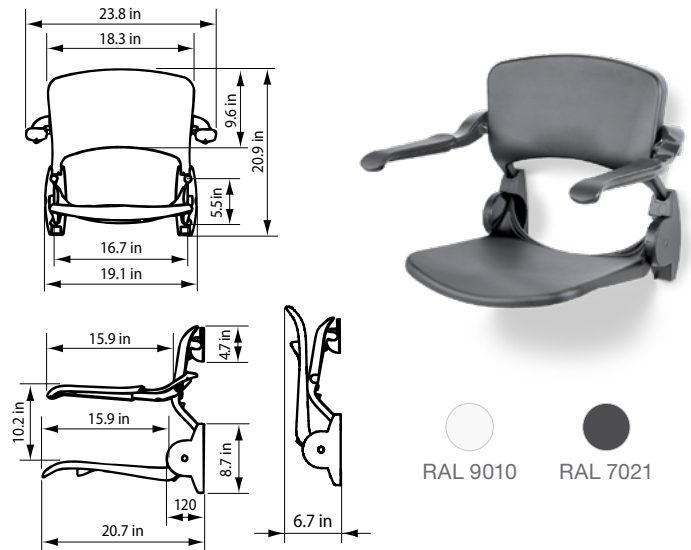


| Part No.       | Description                |
|----------------|----------------------------|
| LI2201.2013-02 | Compact shower seat, white |

## Ergonomic Shower Seat with Backrest and Armrests

- Independent swivel armrests, ergonomic shape
- Wall fixing set available (LI2805.000)
- ▲ Floor support set LI 2214.201 recommended with a body weight > 220 lb (100 kg) dependent on the wall structure

Please see page 35 for information about weight limits

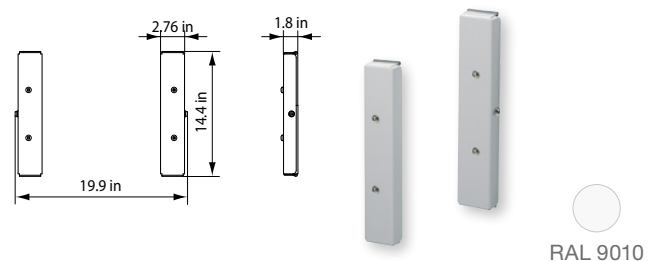


| Part No.       | Description  |
|----------------|--|
| LI2203.2006-02 | Ergonomic shower seat with backrest and armrests, white      |
| LI2203.2006-11 | Ergonomic shower seat with backrest and armrests, anthracite |
| LI2805.0000-00 | Wall mounting set LI2202 and LI2203                          |

■ Ergonomic shower seats are supplied including back hook and protective caps. Wall mounting sets for walls with ample strength available separately.

## Height Adjustment System

- Can be used for shower seat without backrest
- LI2201.200, LI2201.001 and LI2221.021
- Smooth adjustment to required seat height
- Also allows mounting of shower seat at a later stage
- Height adjustment 5.9 in (150 mm)
- Includes drilling template
- Set adjustable clamp levers available (LI2815.001)

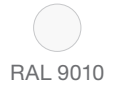
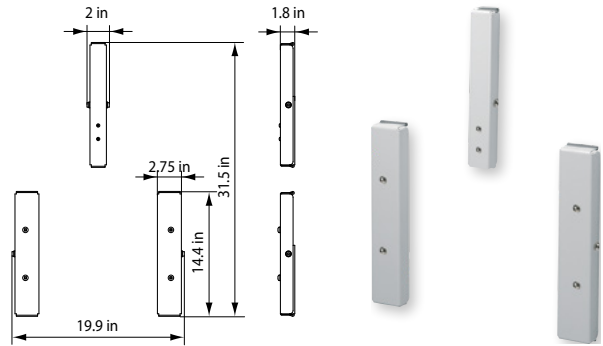


| Part No.       | Description   |
|----------------|---|
| LI2215.1014-02 | Height adjustment system for seat without backrest, stainless steel / white |

# Shower Seats

## Height Adjustment System

- Can be used for shower seats with backrest  
LI2202.200, LI2203.200, LI2203.001 and LI2223.021
- Smooth adjustment to required seat height
- Also allows mounting of shower seat at a later stage
- Height adjustment 5.9 in (150 mm)
- Includes drilling template
- Set adjustable clamp levers available (LI2815.002)



| Part No.       | Description  |
|----------------|--|
| LI2215.1024-02 | Height adjustment system for seat with backrest, stainless steel / white |

## Set Adjustable Clamp Levers

### LI2815.001

- For height adjustment system LI2215.001, 2 items, black plastic

### LI2815.002

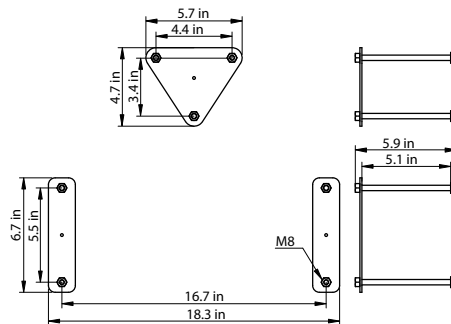
- For height adjustment system LI2215.002, 4 items, black plastic



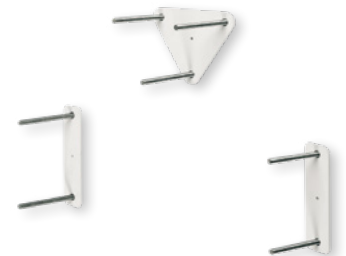
| Part No.       | Description   |
|----------------|---|
| LI2815.0010-00 | Set 2 adjustable clamp levers for use with LI2215.101 |
| LI2815.0020-00 | Set 4 adjustable clamp levers for use with LI2215.102 |

## Set Backing Plates

- For fixing Linido shower seat from rear of wall
- Comes with nuts M8 welded on the plate and threaded studs, washers and nuts
- Supplied with backing plate for shower seats with backrests
- Backing plate visible at back side of the wall
- Only in white

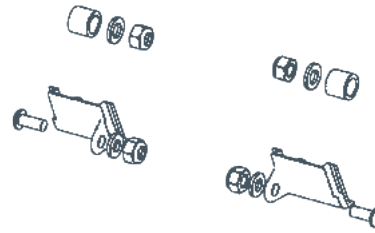


| Part No.       | Description  |
|----------------|--|
| LI0122.5084-02 | Set backing plates for shower seats, stainless steel / white |



## Floor Support Installation Set

- Replacement set
- For mounting a floor support
- Supplied as standard with floor support LI2214.201
- Standard available in white

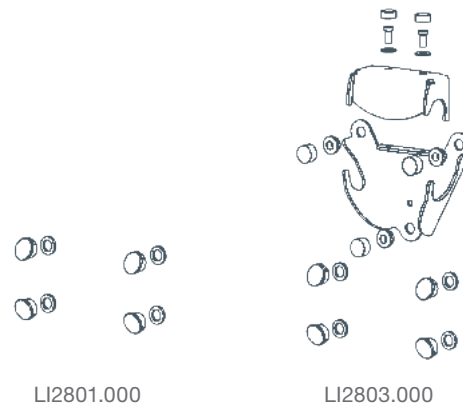


| Part No.       | Description  |
|----------------|--|
| LI2804.0000-02 | Installation set for floor support LI2214.201, white |

## Mounting Set for Shower Seats LI2201.200 / LI2202.200 / LI2203.200

- Replacement set
- For covering the fixing holes and installing the backrest to a wall
- Supplied as a standard with our shower seats LI2202.200 / LI2203.200
- Backrest hook clamp is white

| Part No.       | Description   |
|----------------|---|
| LI2801.0000-02 | Mounting set for shower seats 2201, white             |
| LI2801.0000-11 | Mounting set for shower seats 2201, anthracite        |
| LI2803.0000-02 | Mounting set for shower seats 2202 / 2203, white      |
| LI2803.0000-11 | Mounting set for shower seats 2202 / 2003, anthracite |



LI2801.000

LI2803.000

## Wall Mounting Kits for Shower Seats

### LI2806.000

For mounting Linido shower seat LI2201.200, consisting of:

- Fischer UX 10 plugs, 4 pieces
- Lag screw, 8 x 90 mm stainless steel A2, 4 pieces
- Washer M8 DIN 125, stainless steel A2, 4 pieces

### LI2805.000

For mounting Linido shower seats LI2202.200 en LI2203.200, consisting of:

- Fischer UX 10 plugs, 7 pieces
- Lag screw, 4 pieces 8 x 90 mm stainless steel A2, 3 pieces 8 x 70 mm stainless steel A2
- Washer M8 DIN 125, stainless steel A2, 7 pieces



LI2806.000-00



LI2805.000-00

| Part No.       | Description                            |
|----------------|--|
| LI2806.0000-00 | Wall mounting kit LI2201 and LI2601/03 |
| LI2805.0000-00 | Wall mounting kit LI2202 and LI2203    |

# Grab Rails



## Real Support in Your Bathroom

Handicare grab bars offer practical support that can be mounted anywhere: in the shower or adjacent to the toilet. The bar's diameter was specially designed to fit any hand size while providing a safe grip. The 60° angle, instead of 90°, ensures that the hand of the user remains in a natural position, which reduces the risk of falling.



## Ergogrip

Ergogrip grab rails are suitable for users with a body weight of up to 330 lb (150 kg). They are made of steel or stainless steel tube and have a plastic flange with a plastic cover. As the tube is bent to 60° instead of the traditional 90°, hand and wrist retain a natural position while holding the Ergogrip. In combination with the flange the Ergogrip has a smooth form which offers a firm grip.



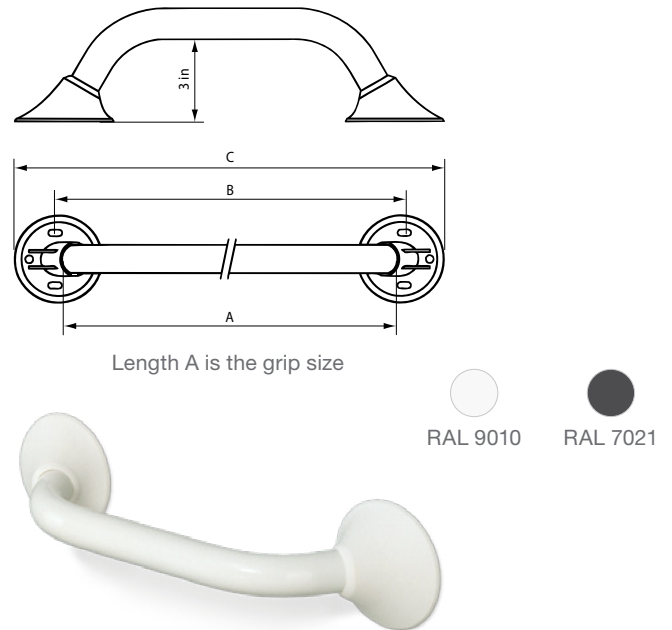
Thanks to the proper combination of shape and diameter of the tube, the user can achieve an optimal grip. Based on scientific data, Handicare has designed a grab rail that meets the requirements set by users of the product in terms of shape, tube diameter, bending angle and wall distance.

# Grab Rails

## Ergogrip Straight Grab Rails

| Part No.   | Dimensions        |                   |                    |
|------------|-------------------|-------------------|--------------------|
|            | A                 | B                 | C                  |
| LI2611.030 | 11.8 in (300 mm)  | 12.5 in (318 mm)  | 16.0 in (406 mm)   |
| LI2611.040 | 15.75 in (400 mm) | 16.4 in (417 mm)  | 19.9 in (505 mm)   |
| LI2611.050 | 19.7 in (500 mm)  | 20.4 in (518 mm)  | 23.8 in (605 mm)   |
| LI2611.060 | 23.6 in (599 mm)  | 24.3 in (617 mm)  | 27.75 in (705 mm)  |
| LI2611.070 | 27.5 in (699 mm)  | 28.2 in (716 mm)  | 31.7 in (805 mm)   |
| LI2611.080 | 31.5 in (800 mm)  | 32.2 in (818 mm)  | 35.6 in (904 mm)   |
| LI2611.090 | 35.4 in (899 mm)  | 36.1 in (917 mm)  | 39.6 in (1006 mm)  |
| LI2611.100 | 39.4 in (1001 mm) | 40.0 in (1016 mm) | 43.5 in (1105 mm)  |
| LI2611.120 | 47.2 in (1199 mm) | 48.0 in (1219 mm) | 51.4 in (1306 mm)  |
| LI2611.140 | 55.1 in (1400 mm) | 55.8 in (1417 mm) | 59.25 in (1505 mm) |

- Mounting set available (LI2807.000), see page 16
- Combine with backing plate LI0126.503 (page 16) when in doubt about strength of wall



### Ergogrip 300 Grab Rail, Length 11.8 in (300 mm)

| Part No.       | Description                                  |
|----------------|--|
| LI2611.0301-02 | White  |
| LI2611.0301-11 | Anthracite                                   |
| LI2611.0304-02 | Stainless steel / white                      |
| LI2611.0302-00 | Polished stainless steel, details white      |
| LI2611.0302-11 | Polished stainless steel, details anthracite |

### Ergogrip 400 Grab Rail, Length 15.75 in (400 mm)

| Part No.       | Description                                  |
|----------------|--|
| LI2611.0401-02 | White  |
| LI2611.0401-11 | Anthracite                                   |
| LI2611.0404-02 | Stainless steel / white                      |
| LI2611.0402-00 | Polished stainless steel, details white      |
| LI2611.0402-11 | Polished stainless steel, details anthracite |

### Ergogrip 500 Grab Rail, Length 19.7 in (500 mm)

| Part No.       | Description                                  |
|----------------|--|
| LI2611.0501-02 | White  |
| LI2611.0501-11 | Anthracite                                   |
| LI2611.0504-02 | Stainless steel / white                      |
| LI2611.0502-00 | Polished stainless steel, details white      |
| LI2611.0502-11 | Polished stainless steel, details anthracite |

### Ergogrip 600 Grab Rail, Length 23.6 in (600 mm)

| Part No.       | Description                                  |
|----------------|--|
| LI2611.0601-02 | White  |
| LI2611.0601-11 | Anthracite                                   |
| LI2611.0604-02 | Stainless steel / white                      |
| LI2611.0602-00 | Polished stainless steel, details white      |
| LI2611.0602-11 | Polished stainless steel, details anthracite |

### Ergogrip 700 Grab Rail, Length 27.5 in (700 mm)

| Part No.       | Description                                  |
|----------------|--|
| LI2611.0701-02 | White  |
| LI2611.0701-11 | Anthracite                                   |
| LI2611.0704-02 | Stainless steel / white                      |
| LI2611.0702-00 | Polished stainless steel, details white      |
| LI2611.0702-11 | Polished stainless steel, details anthracite |

### Ergogrip 800 Grab Rail, Length 31.5 in (800 mm)

| Part No.       | Description                                  |
|----------------|--|
| LI2611.0801-02 | White  |
| LI2611.0801-11 | Anthracite                                   |
| LI2611.0804-02 | Stainless steel / white                      |
| LI2611.0802-00 | Polished stainless steel, details white      |
| LI2611.0802-11 | Polished stainless steel, details anthracite |

continued on following page

## Ergogrip Straight Grab Rails (cont.)

### Ergogrip 900 Grab Rail, Length 35.4 in (900 mm)

| Part No.       | Description                                  |
|----------------|--|
| LI2611.0901-02 | White  |
| LI2611.0901-11 | Anthracite                                   |
| LI2611.0904-02 | Stainless steel / white                      |
| LI2611.0902-00 | Polished stainless steel, details white      |
| LI2611.0902-11 | Polished stainless steel, details anthracite |

### Ergogrip 1000 Grab Rail, Length 39.4 in (1000 mm)

| Part No.       | Description                                  |
|----------------|--|
| LI2611.1001-02 | White  |
| LI2611.1001-11 | Anthracite                                   |
| LI2611.1004-02 | Stainless steel / white                      |
| LI2611.1002-00 | Polished stainless steel, details white      |
| LI2611.1002-11 | Polished stainless steel, details anthracite |

### Ergogrip 1200 Grab Rail, Length 47.2 in (1200 mm)

| Part No.       | Description                                  |
|----------------|--|
| LI2611.1201-02 | White  |
| LI2611.1201-11 | Anthracite                                   |
| LI2611.1204-02 | Stainless steel / white                      |
| LI2611.1202-00 | Polished stainless steel, details white      |
| LI2611.1202-11 | Polished stainless steel, details anthracite |

### Ergogrip 1400 Grab Rail, Length 55.1 in (1400 mm)

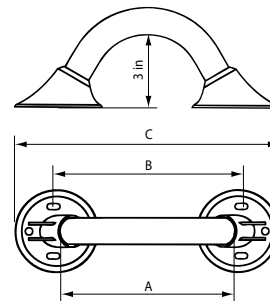
| Part No.       | Description                                  |
|----------------|--|
| LI2611.1401-02 | White  |
| LI2611.1401-11 | Anthracite                                   |
| LI2611.1404-02 | Stainless steel / white                      |
| LI2611.1402-00 | Polished stainless steel, details white      |
| LI2611.1402-11 | Polished stainless steel, details anthracite |

## Ergogrip 200 Grab Rails

| Part No.   | Dimensions      |                   |                  |
|------------|-----------------|-------------------|------------------|
|            | A               | B                 | C                |
| LI2611.020 | 7.0 in (178 mm) | 7.875 in (200 mm) | 10.8 in (274 mm) |

- Mounting set available (LI2807.000), see page 16
- Combine with backing plate LI0126.503 (page 16) when in doubt about strength of wall

| Part No.       | Description                                  |
|----------------|--|
| LI2611.0201-02 | White  |
| LI2611.0201-11 | Anthracite                                   |
| LI2611.0204-02 | Stainless steel / white                      |
| LI2611.0202-00 | Polished stainless steel, details white      |
| LI2611.0202-11 | Polished stainless steel, details anthracite |



Length A is the grip size



RAL 9010

RAL 7021



RAL9010, white



RAL7021, anthracite



Polished stainless steel w/white details



Polished stainless steel w/anthracite details

# Grab Rails

## Horizontal Angled Grab Rail

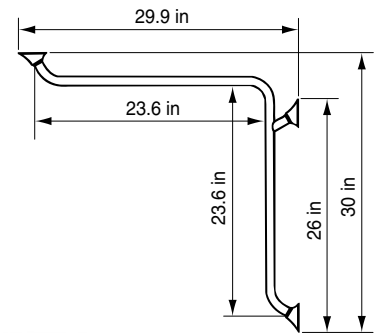
### Ergogrip Corner S

- For two walls
- Use mounting set LI2807.000 (page 16) (order 2 sets because of extra flange)
- Combine with backing plate LI0126.503 (page 16) when in doubt about strength of wall

Ideal to combine with our vertical combination grab rail LI2611.018 or LI2611.019 to form a sturdy shower rail, and shower holder LI2630.200 (page 14).

*Note: Order vertical combination grab rail and shower holder separately*

| Part No.       | Description                                  |
|----------------|--|
| LI2611.0151-02 | White  |
| LI2611.0151-11 | Anthracite                                   |
| LI2611.0154-02 | Stainless steel / white                      |
| LI2611.0152-00 | Polished stainless steel, details white      |
| LI2611.0152-11 | Polished stainless steel, details anthracite |



## Angled Grab Rail for Two Walls

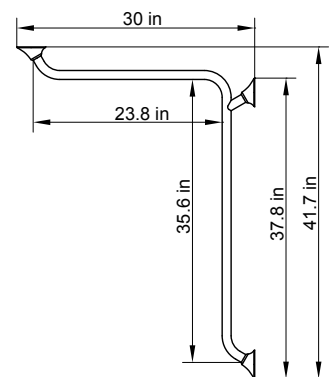
### Ergogrip Corner L

- For two walls
- Use mounting set LI2807.000 (page 16) (order 2 sets because of extra flange)
- Combine with backing plate LI0126.503 (page 16) when in doubt about strength of wall

Ideal to combine with our vertical combination grab rail LI2611.018 or LI2611.019 to form a sturdy shower rail, and shower holder LI2630.200 (page 14).

*Note: Order vertical combination grab rail and shower holder separately*

| Part No.       | Description                                  |
|----------------|--|
| LI2611.0251-02 | White  |
| LI2611.0251-11 | Anthracite                                   |
| LI2611.0254-02 | Stainless steel / white                      |
| LI2611.0252-00 | Polished stainless steel, details white      |
| LI2611.0252-11 | Polished stainless steel, details anthracite |



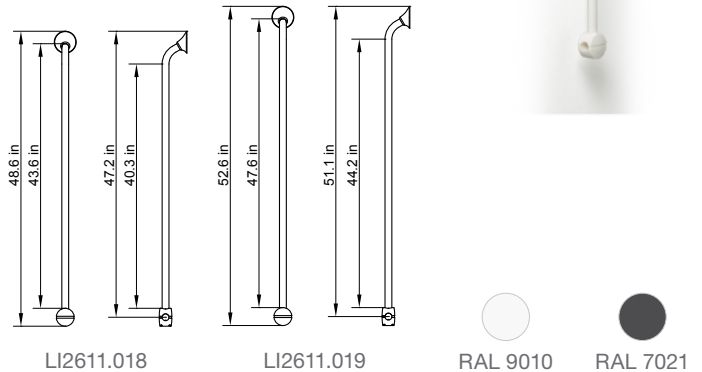
## Vertical Combination Grab Rail

### Ergogrip Corner Combination Grab Rail

- Combine with any grab rails Ergogrip, 300 mm or larger, to determine your own ideal set-up.
- Combine with backing plate LI0126.503 (page 16) when in doubt about strength of wall
- Combined with a shower holder (LI2630.200), this combination grab rails also makes a sturdy shower rail!

Note: Order shower holder (page 14) separately

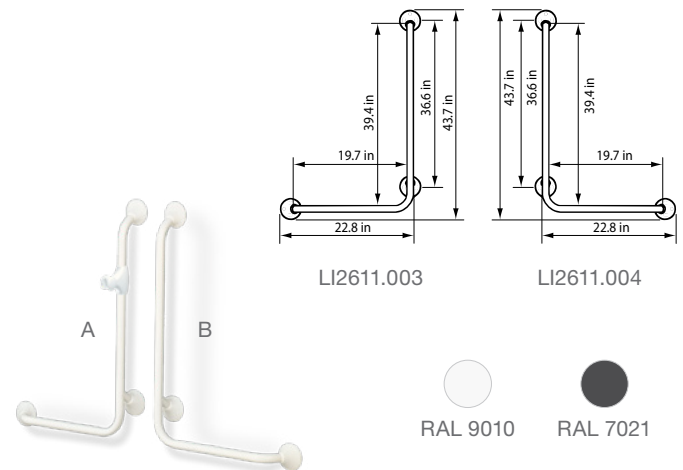
| Part No.       | Description                                  |
|----------------|--|
| LI2611.0184-02 | Coated stainless steel, white                |
| LI2611.0184-11 | Coated stainless steel, anthracite           |
| LI2611.0182-00 | Polished stainless steel, details white      |
| LI2611.0182-11 | Polished stainless steel, details anthracite |
| LI2611.0194-02 | Coated stainless steel, white                |
| LI2611.0194-11 | Coated stainless steel, anthracite           |
| LI2611.0192-00 | Polished stainless steel, details white      |
| LI2611.0192-11 | Polished stainless steel, details anthracite |



## Angled Grab Rail 90 Degrees

### Ergogrip 90 Left (A), Ergogrip 90 Right (B)

- Recommended for mounting in bath and shower situations
- Combined with a shower holder (LI2630.200), this grab rail also makes a sturdy shower rail!
- Mounting set LI2807.000 (page 16) can be used (order 2 sets because of extra flange)
- Combine with backing plate LI0126.503 (page 16) when in doubt about strength of wall
- Safe working load (SWL) 331 lb (150 kg)



#### A: Left

| Part No.       | Description                                  |
|----------------|--|
| LI2611.0031-02 | White  |
| LI2611.0031-11 | Anthracite                                   |
| LI2611.0034-02 | Stainless steel / white                      |
| LI2611.0032-00 | Polished stainless steel, details white      |
| LI2611.0032-11 | Polished stainless steel, details anthracite |

#### B: Right

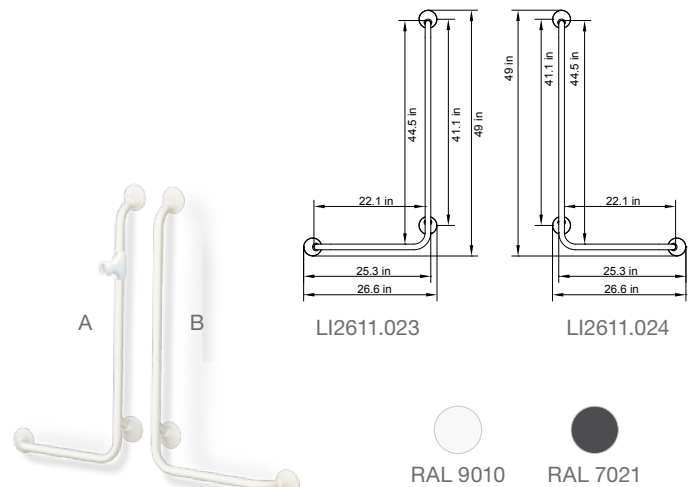
| Part No.       | Description                                  |
|----------------|--|
| LI2611.0041-02 | White  |
| LI2611.0041-11 | Anthracite                                   |
| LI2611.0044-02 | Stainless steel / white                      |
| LI2611.0042-00 | Polished stainless steel, details white      |
| LI2611.0042-11 | Polished stainless steel, details anthracite |

# Grab Rails

## Angled Grab Rail 90 Degrees

### Ergogrip 90 Left (A), Ergogrip 90 Right (B)

- Recommended for mounting in bath and shower situations
- Combined with a shower holder (LI2630.200), this grab rail also makes a sturdy shower rail!
- Mounting set LI2807.000 (page 16) can be used (order 2 sets because of extra flange)
- Combine with backing plate LI0126.503 (page 16) when in doubt about strength of wall
- Safe working load (SWL) 331 lb (150 kg)



#### A: Left

| Part No.       | Description                                  |
|----------------|--|
| LI2611.0231-02 | White  |
| LI2611.0231-11 | Anthracite                                   |
| LI2611.0234-02 | Stainless steel / white                      |
| LI2611.0232-00 | Polished stainless steel, details white      |
| LI2611.0232-11 | Polished stainless steel, details anthracite |

#### B: Right

| Part No.       | Description                                  |
|----------------|--|
| LI2611.0241-02 | White  |
| LI2611.0241-11 | Anthracite                                   |
| LI2611.0244-02 | Stainless steel / white                      |
| LI2611.0242-00 | Polished stainless steel, details white      |
| LI2611.0242-11 | Polished stainless steel, details anthracite |

## Shower Head Holder

- Total plastic construction
- Suitable for every Ergogrip grab rail from 300 mm or more; converts an Ergogrip into a safe shower rail
- Can also be fitted after installation of the Ergogrip grab rail
- Light and easily adjustable over the full length of Ergogrip grab rail
- Ergonomic grip
- For conical shaped collar of shower tube



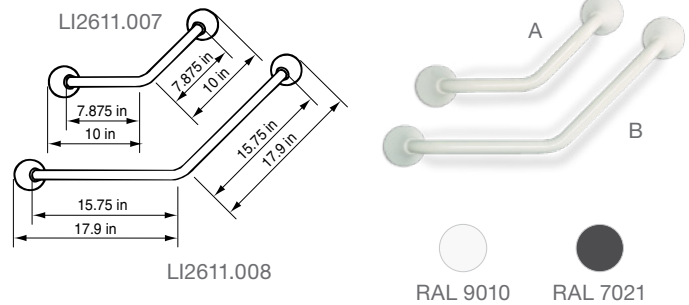
#### A: Left

| Part No.       | Description |
|----------------|-------------|
| LI2630.2006-02 | White       |
| LI2630.2006-11 | Anthracite  |

## Angled Grab Rail 45 Degrees

### Ergogrip 45 Small (A), Ergogrip 45 Large (B)

- Recommended for mounting beside toilet or bath
- Mounting set LI2807.000 can be used (page 16)
- Combine with backing plate LI0126.503 (page 16) when in doubt about strength of wall



#### A: Small

| Part No.       | Description                                  |
|----------------|--|
| LI2611.0071-02 | White  |
| LI2611.0071-11 | Anthracite                                   |
| LI2611.0074-02 | Stainless steel / white                      |
| LI2611.0072-00 | Polished stainless steel, details white      |
| LI2611.0072-11 | Polished stainless steel, details anthracite |

#### B: Large

| Part No.       | Description                                  |
|----------------|--|
| LI2611.0081-02 | White  |
| LI2611.0081-11 | Anthracite                                   |
| LI2611.0084-02 | Stainless steel / white                      |
| LI2611.0082-00 | Polished stainless steel, details white      |
| LI2611.0082-11 | Polished stainless steel, details anthracite |

## Towel Rail

### Towel Rail Small (A), Towel Rail Large (B)

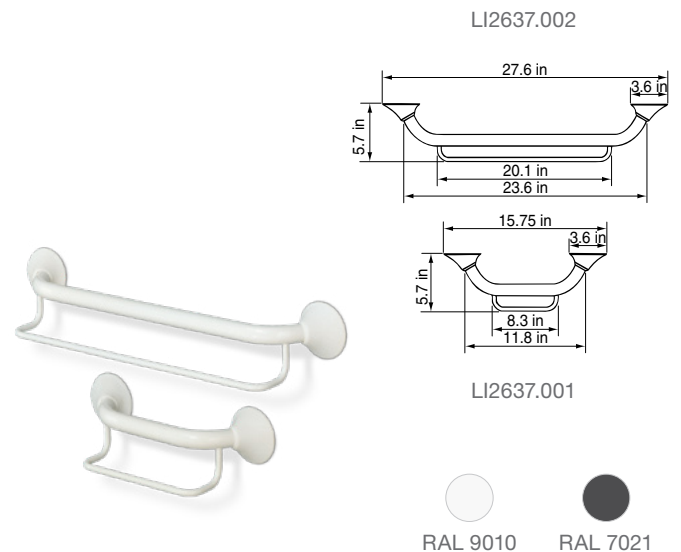
- Combination of towel rail and grab rail
- Top tube can be used as grab bar
- Safe working load (SWL) 331 lb (150 kg)

#### A: Small, Length 11.8 in (300 mm)

| Part No.       | Description                                  |
|----------------|--|
| LI2637.0011-02 | White  |
| LI2637.0011-11 | Anthracite                                   |
| LI2637.0014-02 | Stainless steel / white                      |
| LI2637.0012-00 | Polished stainless steel, details white      |
| LI2637.0012-11 | Polished stainless steel, details anthracite |

#### B: Large, Length 23.6 in (600 mm)

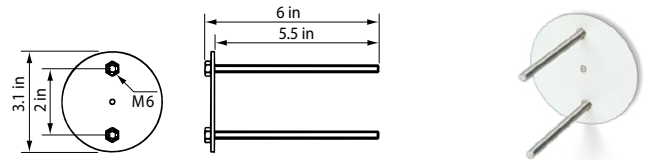
| Part No.       | Description                                  |
|----------------|--|
| LI2637.0021-02 | White  |
| LI2637.0021-11 | Anthracite                                   |
| LI2637.0024-02 | Stainless steel / white                      |
| LI2637.0022-00 | Polished stainless steel, details white      |
| LI2637.0022-11 | Polished stainless steel, details anthracite |



# Grab Rails

## Backing Plate Round

- For fixing Ergogrip from rear of wall
- Comes complete with nuts M6 welded on the plate and threaded studs washers and nuts
- Backing plate visible at back side of wall
- Only in white
- Not suitable for system walls



| Part No.       | Description             |
|----------------|-------------------------|
| LI0126.5034-02 | Stainless steel / white |

## Wall Mounting Set

For mounting of all Linido grab rails, consisting of:

- Fischer UX 8 plugs, 4 pieces
- Lag screw, 6 x 60 mm stainless steel A2, 4 pieces
- Washer M8 DIN 125, stainless steel A2, 4 pieces



| Part No.   | Description                      |
|------------|----------------------------------|
| LI2807.000 | Wall mounting set for grab rails |

## Stair Newel Grab Rails

### Stair Newel Grab Rail (A), Stair Newel Grab Rail (B)

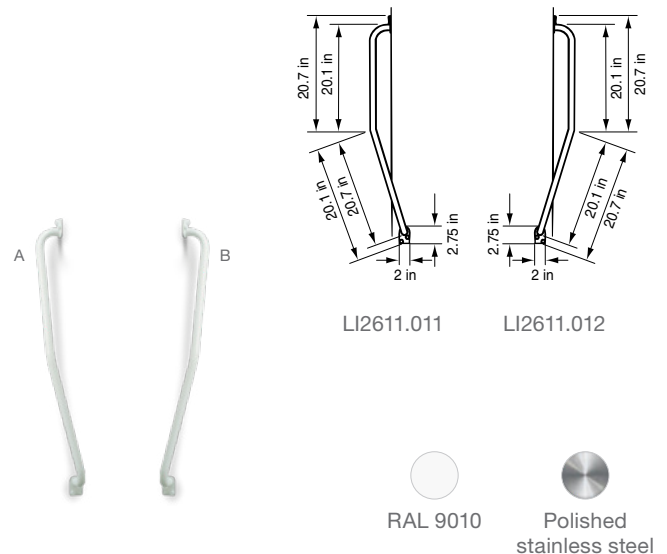
- For two walls (inner corner)
- Safe working load (SWL) 331 lb (150 kg)

#### A: Stair Newel Grab Rail, Right

| Part No.       | Description                                      |
|----------------|--|
| LI2611.0111-02 | Newel, right hand side, white                    |
| LI2611.0114-02 | Newel, right hand side, stainless steel / white  |
| LI2611.0112-00 | Newel, right hand side, polished stainless steel |

#### A: Stair Newel Grab Rail, Left

| Part No.       | Description                                     |
|----------------|---|
| LI2611.0121-02 | Newel, left hand side, white                    |
| LI2611.0124-02 | Newel, left hand side, stainless steel / white  |
| LI2611.0122-00 | Newel, left hand side, polished stainless steel |

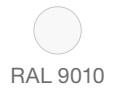
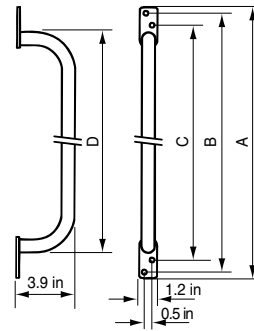




## Door Frame Grab Rails

| Part No.   | Dimensions          |                     |                      |                     |
|------------|---------------------|---------------------|----------------------|---------------------|
|            | A                   | B                   | C                    | D                   |
| LI2619.030 | 11.8 in<br>(300 mm) | 11.0 in<br>(279 mm) | 9.4 in<br>(239 mm)   | 8.5 in<br>(216 mm)  |
| LI2619.045 | 17.7 in<br>(450 mm) | 17.0 in<br>(432 mm) | 15.4 in<br>(391 mm)  | 14.4 in<br>(366 mm) |
| LI2619.060 | 23.6 in<br>(599 mm) | 22.8 in<br>(579 mm) | 21.25 in<br>(540 mm) | 20.3 in<br>(516 mm) |

- The small flange makes this extremely suitable for mounting on door frames
- Diameter tube: 0.875 in (22 mm)
- Only available in the measurement above
- Only in white

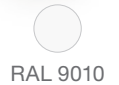
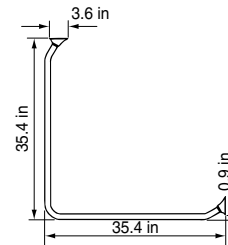


| Part No.       | Description             |
|----------------|-------------------------|
| LI2619.0301-02 | 11.8 in (300 mm), white |
| LI2619.0451-02 | 17.7 in (450 mm), white |
| LI2619.0601-02 | 23.6 in (600 mm), white |

## Shower Curtain Rail

- For corner shower
- Without curtain and rings

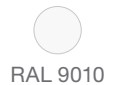
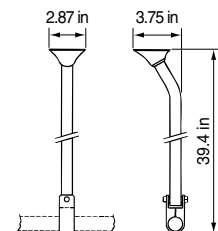
| Part No.       | Description                                       |
|----------------|---|
| LI2641.0001-02 | 90° rail, white                                   |
| LI2641.0001-02 | 90° rail, polished stainless steel, details white |



## Ceiling Mounting Set for Shower Curtain Rail

- Can be shortened to the desired height

| Part No.       | Description                 |
|----------------|-----------------------------|
| LI2641.1003-02 | Ceiling mounting kit, white |



# Toilet Aids



## Extra Support and Comfort When Using the Toilet

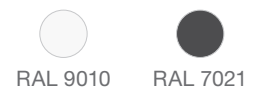
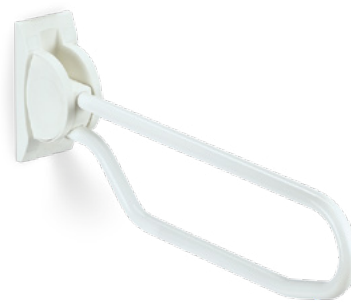
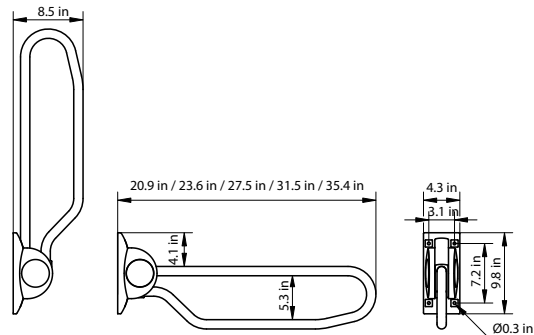
Arm support offers the user firm support when sitting down on the toilet and getting up again. It is also suitable to lean against when undressing or dressing. The arm support can be folded up after which it automatically locks. When folded up, the bracket can also give support when using the toilet standing up, or when cleaning the toilet. The lateral load is 220 lb (100 kg) and a vertical load is 330 lb (150 kg).

# Hinged Arm Supports

## Hinged Arm Supports

| Part No.   | Length           |
|------------|------------------|
| LI2603.350 | 20.9 in (530 mm) |
| LI2603.360 | 23.6 in (600 mm) |
| LI2603.370 | 27.5 in (700 mm) |
| LI2603.380 | 31.5 in (800 mm) |
| LI2603.390 | 35.4 in (900 mm) |

- Offers support in both horizontal and vertical position
- Locks automatically in the upright position can also be used as addition to a shower seat when there is not enough space for shower seat with backrest and armrests, or when a higher load than 220 lb (100 kg) for the armrest is desired
- Plastic wall plate with tube of coated steel, coated stainless steel or polished stainless steel
- Fixing mount available (LI2806.000, page 7)
- Also available with diameter 32 mm



### Hinged Arm Support, Length 20.9 in (530 mm)

| Part No.       | Description                                  |
|----------------|--|
| LI2603.3501-02 | White  |
| LI2603.3501-11 | Anthracite                                   |
| LI2603.3504-02 | Coated stainless steel / white               |
| LI2603.3502-02 | Polished stainless steel, details white      |
| LI2603.3502-11 | Polished stainless steel, details anthracite |

### Hinged Arm Support, Length 23.6 in (600 mm)

| Part No.       | Description                                  |
|----------------|--|
| LI2603.3601-02 | White  |
| LI2603.3601-11 | Anthracite                                   |
| LI2603.3604-02 | Coated stainless steel / white               |
| LI2603.3602-02 | Polished stainless steel, details white      |
| LI2603.3602-11 | Polished stainless steel, details anthracite |

### Hinged Arm Support, Length 27.5 in (700 mm)

| Part No.       | Description                                  |
|----------------|--|
| LI2603.3701-02 | White  |
| LI2603.3701-11 | Anthracite                                   |
| LI2603.3704-02 | Coated stainless steel / white               |
| LI2603.3702-02 | Polished stainless steel, details white      |
| LI2603.3702-11 | Polished stainless steel, details anthracite |

### Hinged Arm Support, Length 31.5 in (800 mm)

| Part No.       | Description                                  |
|----------------|--|
| LI2603.3801-02 | White  |
| LI2603.3801-11 | Anthracite                                   |
| LI2603.3804-02 | Coated stainless steel / white               |
| LI2603.3802-02 | Polished stainless steel, details white      |
| LI2603.3802-11 | Polished stainless steel, details anthracite |

### Hinged Arm Support, Length 35.4 in (900 mm)

| Part No.       | Description                                  |
|----------------|--|
| LI2603.3901-02 | White  |
| LI2603.3901-11 | Anthracite                                   |
| LI2603.3904-02 | Coated stainless steel / white               |
| LI2603.3902-02 | Polished stainless steel, details white      |
| LI2603.3902-11 | Polished stainless steel, details anthracite |

### Wall Mounting Set

| Part No.       | Description                             |
|----------------|---|
| LI2806.0000-00 | Wall mounting set for LI2201, LI2601/03 |

LI2806.000-00  4 pcs per set

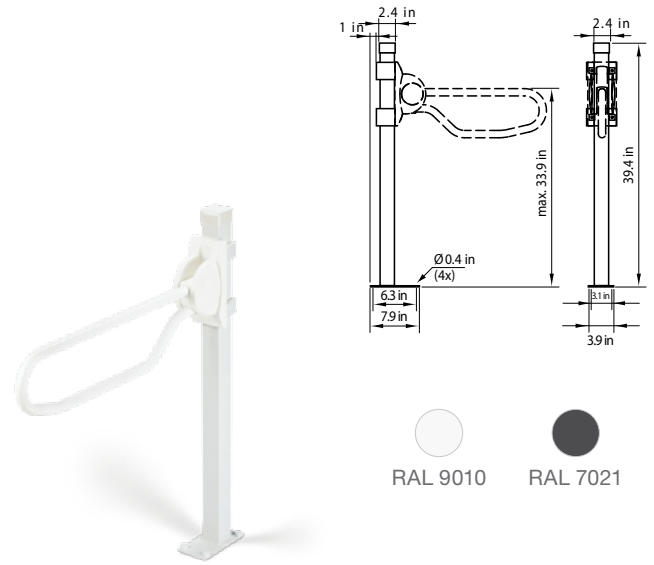
# Hinged Arm Supports

## Floor Console for Hinged Arm Support

- Recommended when wall mounting of the hinged arm support is not possible or desirable
- Including backing plate and aluminum clamps for mounting of hinged arm support
- Once mounted on the floor console, the hinged arm support can be readjusted

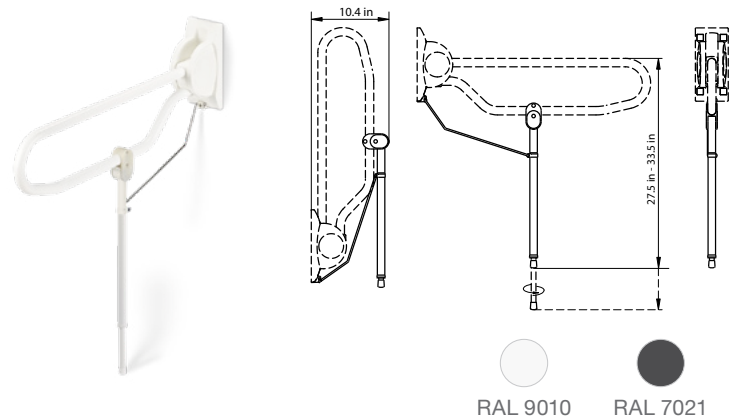
### Floor Console and Clamps

| Part No.       | Description              |
|----------------|--------------------------|
| LI2608.0001-02 | White                    |
| LI2608.0001-11 | Anthracite               |
| LI2608.0004-02 | Stainless steel / white  |
| LI2608.0002-02 | Polished stainless steel |



## Floor Support Set for Hinged Arm Support

- Recommended if there is any doubt about the strength of the wall
- Consists of adjustable floor support, clamps and distance stay
- Smooth height adjustment for hinged arm support with height from floor to top of support from 27.5–33.5 in (700–850 mm)
- Can also be fitted after installation of the hinged arm support (LI2603.3xx)
- Not applicable on LI2603.350
- Safe working load (SWL) 331 lb (150 kg)

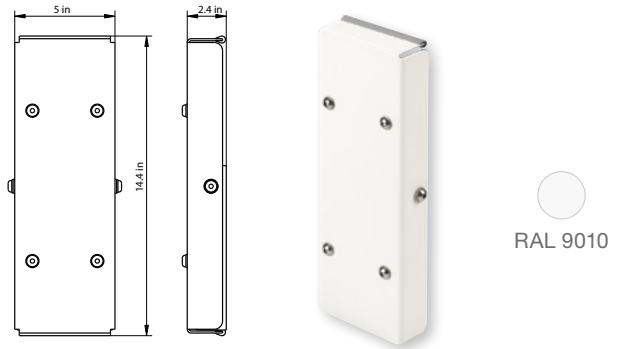


| Part No.       | Description              |
|----------------|--------------------------|
| LI2614.3001-02 | White                    |
| LI2614.3001-11 | Anthracite               |
| LI2614.3004-02 | Stainless steel / white  |
| LI2614.3002-00 | Polished stainless steel |

# Hinged Arm Supports

## Height Adjustment System for Hinged Arm Support

- Can be used for hinged arm supports LI2603.3xx
- Smooth height adjustment to required height of support
- Allows mounting of hinged arm at a later stage
- Range in adjustment 5.9 in (150 mm)
- Set adjustable clamp levers available (LI2815.001)



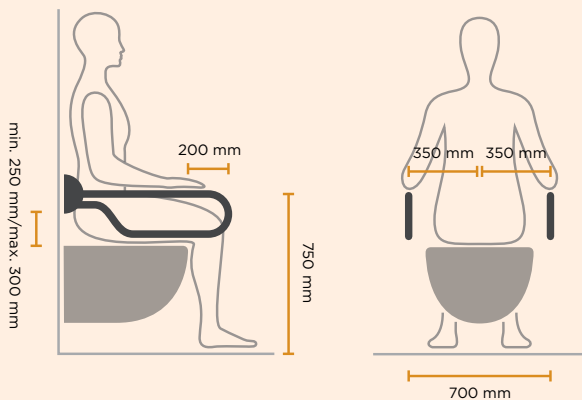
| Part No.       | Description  |
|----------------|--|
| LI2608.0004-02 | Height adjustment system for 2603.3xx, stainless steel / white |

## Set Adjustable Clamp Levers

- To be used with height adjustment system LI2615.3004-02, 2 pieces, black plastic



| Part No.       | Description   |
|----------------|---|
| LI2815.0010-00 | Set of 2 adjustable clamp levers for LI2615.3004-02 |



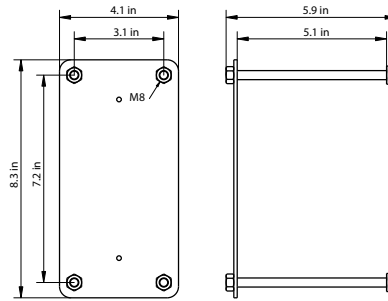
## Pay attention when mounting

- Make sure the arm supports are mounted symmetrically to load the body of the user evenly.
- If you place only one toilet bracket, find out when the user needs support: is this specifically when sitting down or when getting up again, has the user a weaker arm, or has the user a diminished use of an arm?
- Make sure the arm support is protruding 5.9–7.9 in (150–200 mm) in front of the toilet. This causes the arm of the user to stay in a natural position when sitting down and getting up again.
- Choose an arm support in a contrasting color when the user has impaired vision.

# Hinged Arm Supports

## Backing Plate Rectangular

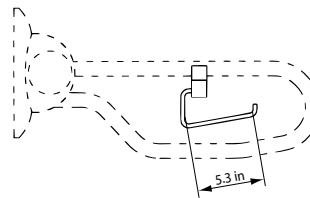
- For fixing hinged arm support from rear of wall
- Comes complete with welded nuts M8 and matching threaded studs, washers and nuts
- Backing plate visible at back side of the wall
- Only in white



| Part No.       | Description   |
|----------------|---|
| LI0126.5014-02 | Backing plate for hinged arm support, stainless steel / white |

## Toilet Roll Holder

- Polished stainless steel roll holder with black plastic clamp for mounting onto Linido hinged arm support or Ergogrip grab rail (LI2611.xxx)
- Also available for tube diameter 1.25 in (32 mm)

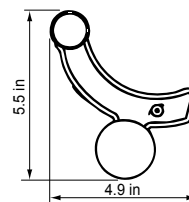
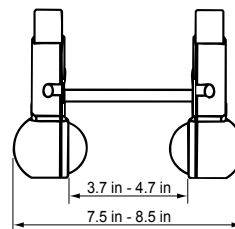


### Toilet Roll Holder with Clamps

| Part No.       | Description                                   |
|----------------|---|
| LI2617.0002-03 | Stainless steel / black                       |
| LI2617.9002-03 | For tube 1.25 in dia, stainless steel / black |

## Toilet Roll Holder Single-Hand

- Plastic toilet roll holder, which makes it possible to change, unroll and tear the toilet paper with one hand
- Fits any Linido hinged arm support (LI2603.3xx), or any Ergogrip grab rail (LI2611.xxx) larger than 15.75 in (400 mm)
- Only in white



| Part No.       | Description                                     |
|----------------|---|
| LI2618.0006-02 | Toilet roll holder for single-handed use, white |

## Toilet Raiser with Lid

- Increases the seat height of a toilet by 3.9 in (100 mm)
- Fits most standard-size toilets
- Easy to install, no tools needed
- Only available in white
- Max. user weight: 285 lb (130 kg)

| Part No. | Description            |
|----------|------------------------|
| 10735    | Toilet raiser with lid |



## Toilet Raiser with Armrests and Lid

- Increases the seat height of a toilet by 3.3 in (85 mm), 4.9 in (125 mm) or 6.5 in (165 mm)
- Removable, independent, swivel armrests
- Fits most standard-size toilets
- Easy to install, no tools needed
- Includes standard toilet seat and lid
- Only available in white
- Max user weight: 285 lb (130 kg)

⚠ Not suitable for lateral transfers. If desired, we recommend fitting hinged armrests.

| Part No. | Description                         |
|----------|-------------------------------------|
| 10659    | Toilet raiser with armrests and lid |



# Commode / Shower Chairs, Shower Trolleys, Shower Stretchers



## Hassle-Free Daily Care

With a wide selection of freestanding, mobile, self-propelling and tilting commode / shower chairs, Handicare ensures a dignified experience.

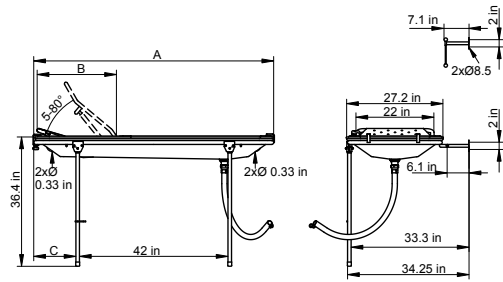
Handicare shower stretchers and trolleys provide easy-to-use solutions while ensuring caregiver convenience and user comfort. Patients can be transferred from bed to shower safely without the need for manual lifting.



# Shower Stretchers

## Shower Stretcher with Adjustable Backrest

| Part No.   | Dimensions        |                  |                   |
|------------|-------------------|------------------|-------------------|
|            | A                 | B                | C                 |
| LI2408.150 | 59.8 in (1519 mm) | 18.3 in (465 mm) | 7.9 in (201 mm)   |
| LI2408.170 | 67.7 in (1720 mm) | 24.2 in (615 mm) | 11.8 in (300 mm)  |
| LI2408.190 | 75.5 in (1918 mm) | 24.2 in (615 mm) | 15.75 in (400 mm) |



- HT-cover\* material
- Hinges to the wall (folds up or folds down)
- Hinged leg supports
- Including wall clamp to secure stretcher when folded up against the wall
- Available with adjustable backrest by means of a gas spring and with PVC water receiver and flexible drain hose
- Suitable for users with a body weight up to 330 lb (150 kg)

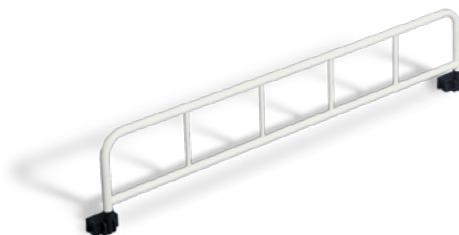
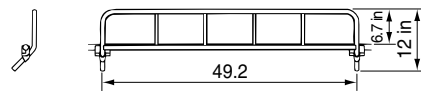
\*Hygiene & Transfer: coated woven polyester textile

| Part No. | Description   |
|----------|---|
| 10735    | Length: 74.8 in (1900 mm), coated stainless steel / white |

## Removable Side Fence

- Suitable for all Linido shower stretchers and shower trolleys
- Includes plastic mounting clamps

| Part No.       | Description   |
|----------------|---|
| LI2490.1254-02 | Length: 49.2 in (1250 mm), coated stainless steel / white |



# Mounting Advice

| Product   | Shower Seat LI2203.200-series  | <b>Shower Seat</b> LI2201.200-series, LI2221.021-series, LI2201.001-series<br><b>Hinged Arm Support</b> LI2603.3-series<br><b>Fixed Arm Support</b> LI2601-series<br><b>Floor Console</b> LI2608-series<br><b>Swinging Support</b> LI2613-series<br><b>Height Adjustment System</b> LI2215-series, LI2615-series  | <b>Ergogrip Grab Rails</b> LI2611-series 2 flanges<br><b>Shower Stretcher</b> LI24-series<br><b>Stair Newel Grab Rail</b> LI2611.011-series, LI2611.012-series<br><b>Door Frame Grab Rail</b> LI2619-series<br><b>Vertical Combination Grab Rail</b> LI2611.018/019-series 1 flanges  |
|---|--|---|---|
| Wall Type   | Mounting With  | Mounting With   | Mounting With   |
| <b>Solid Concrete</b><br><b>Natural Stone</b><br><b>Solid Red Brick</b><br><b>Sand-Lime Brick</b>   | Part number LI2805.0000-00 consisting of: <ul style="list-style-type: none"> <li>Fischer UX 10 plugs, 7 pieces</li> <li>Lag screw DIN 571, 8 x 90 mm stainless steel A2, 4 pieces</li> <li>Lag screw DIN 571, 8 x 70 mm stainless steel A2, 3 pieces</li> <li>Washer M8 DIN 125, stainless steel A2, 7 pieces</li> </ul> Always adapt length of fastening material to thickness of load-bearing part of wall construction, taking into account the layer thickness finish.   | Article number LI2806.0000-00 consisting of: <ul style="list-style-type: none"> <li>Fisher UX 10 plugs, 4 pieces</li> <li>Lag screw DIN 571, 8 x 90 mm stainless steel A2, 4 pieces</li> <li>Washer M8 DIN 125, stainless steel A2, 4 pieces</li> </ul> For LI2215-series, 2 mounting sets are needed.<br><br>Always adapt length of fastening material to thickness of load-bearing part of wall construction, taking into account the layer thickness finish.   | Article number LI2807.0000-00 consisting of: <ul style="list-style-type: none"> <li>Fisher UX 8 plugs, 4 pieces</li> <li>Lag screw DIN 571, 6 x 60 mm stainless steel A2, 4 pieces</li> <li>Washer M8 DIN 125, stainless steel A2, 4 pieces</li> </ul> For LI2611-series with 3 flanges, 2 mounting sets are needed.<br><br>Always adapt length of fastening material to thickness of load-bearing part of wall construction, taking into account the layer thickness finish.   |
| <b>Solid / Massive Aerated Concrete (Ytong, Durox)</b><br><b>Plaster Block</b><br><b>Pumice Solid Brick, Perforated / Hollow</b><br><b>Hollow Brick (Poriso)</b><br><b>Hollow Sand-Lime Brick</b> | Injection mortar + injection sleeve and, if necessary: <ul style="list-style-type: none"> <li>Threaded sleeve</li> <li>Threaded rod DIN976 M8, stainless steel A2, 7 pieces</li> <li>Washer DIN125 M8, stainless steel A2, 7 pieces</li> <li>Nut DIN934 M8, stainless steel A2, 7 pieces</li> </ul> Possible materials to apply are: <ul style="list-style-type: none"> <li>FIS VS injection mortar</li> <li>Fischer threaded rod DIN976 M8, stainless steel A2</li> </ul> Always adapt length of fastening material to thickness of load-bearing part of wall construction, taking into account the layer thickness finish. | Injection mortar + injection sleeve and, if necessary: <ul style="list-style-type: none"> <li>Threaded sleeve</li> <li>Threaded rod DIN976 M8, stainless steel A2, 4 pieces</li> <li>Washer DIN 125 M8, stainless steel A2, 4 pieces</li> <li>Nut DIN 934 M8, stainless steel A2, 4 pieces</li> </ul> For LI2215-series, 6 pieces of each are needed.<br><br>Possible materials to apply are: <ul style="list-style-type: none"> <li>FIS VS injection mortar</li> <li>Fischer threaded rod DIN976 M8, stainless steel A2</li> </ul> Always adapt length of fastening material to thickness of load-bearing part of wall construction, taking into account the layer thickness finish. | Injection mortar + injection sleeve and, if necessary: <ul style="list-style-type: none"> <li>Threaded sleeve</li> <li>Threaded rod DIN976 M6, stainless steel A2, 4 pieces</li> <li>Washer DIN 125 M6, stainless steel A2, 4 pieces</li> <li>Nut DIN 934, stainless steel A2, 4 pieces</li> </ul> For LI2611-series with 3 flanges, 6 pieces of each are needed.<br><br>Possible materials to apply are: <ul style="list-style-type: none"> <li>FIS VS injection mortar</li> <li>Fischer threaded rod DIN976 M6, stainless steel A2</li> </ul> Determine length of threaded rod in accordance with mounting set LI2807.0000-00.<br><br>Always adapt length of fastening material to thickness of load-bearing part of wall construction, taking into account the layer thickness finish. |

# Mounting Advice

| Product  | Shower Seat LI2203.200-series  | <b>Shower Seat</b> LI2201.200-series, LI2221.021-series, LI2201.001-series<br><b>Hinged Arm Support</b> LI2603.3-series<br><b>Fixed Arm Support</b> LI2601-series<br><b>Floor Console</b> LI2608-series<br><b>Swinging Support</b> LI2613-series<br><b>Height Adjustment System</b> LI2215-series, LI2615-series                          | <b>Ergogrip Grab Rails</b> LI2611-series 2 flanges<br><b>Shower Stretcher</b> LI24-series<br><b>Stair Newel Grab Rail</b> LI2611.011-series, LI2611.012-series<br><b>Door Frame Grab Rail</b> LI2619-series<br><b>Vertical Combination Grab Rail</b> LI2611.018/019-series 1 flanges  |
|--|--|---|---|
| Wall Type  | Mounting With  | Mounting With   | Mounting With   |
| <b>Plaster Board</b><br><b>Squeezed Fiberboard</b><br><b>Chipboard</b> | Reinforce the wall with at least 32 mm marine plywood, consult producer of partitioning system on the support structure. <ul style="list-style-type: none"> <li>Lag screw DIN 571, 8 mm, stainless steel A2, 4 pieces</li> <li>Lag screw DIN 571, 8 mm, stainless steel A2, 3 pieces</li> <li>Washer DIN 125 M8, stainless steel A2, 7 pieces</li> </ul> | Reinforce the wall with at least 32 mm marine plywood, consult producer of partitioning system on the support structure. <ul style="list-style-type: none"> <li>Lag screw DIN 571, 8 mm, stainless steel A2, 4 pieces</li> <li>Washer DIN 125 M8, stainless steel A2, 4 pieces</li> </ul> For LI2215-series, 6 pieces of each are needed. | Reinforce the wall with at least 32 mm marine plywood, consult producer of partitioning system on the support structure. <ul style="list-style-type: none"> <li>Lag screw DIN 571, 6mm, stainless steel A2, 4 pieces</li> <li>Washer DIN 125 M6, stainless steel A2, 4 pieces</li> </ul> For LI2611-series with 3 flanges, 6 pieces of each are needed. |
| <b>Concealed Tank and Carrier System, Prepared for Armrests</b>        | <ul style="list-style-type: none"> <li>Lag screw DIN 571, 8 mm, stainless steel A2, 7 pieces</li> <li>Washer DIN 125 M8, stainless steel A2, 7 pieces</li> </ul>   | <ul style="list-style-type: none"> <li>Lag screw DIN 571, 8mm, stainless steel A2, 4 pieces</li> <li>Washer DIN 125 M8, stainless steel A2, 4 pieces</li> </ul> For LI2215-series, 6 pieces of each are needed.   | <ul style="list-style-type: none"> <li>Lag screw DIN 571, 6 mm, stainless steel A2, 4 pieces</li> <li>Washer DIN 125 M6, stainless steel A2, 4 pieces</li> </ul> For LI2611-series with 3 flanges, 6 pieces of each are needed.   |

This advice of mounting methods is a recommendation only. The mounting methods and the length of the screws need to be determined at site according to the type of wall. Always refer to the manual supplied with the product for detailed instructions per product. Ensure proper maintenance after deployment of the product. Refer to the maintenance instructions for bathroom modifications.

Handicare is not responsible for any inexpert mounting of products and the possible damage as a result of that. Handicare is not responsible for modified products. Handicare has compiled this mounting advice with the utmost care.

# Commode / Shower Chairs

## Mobile Commode / Shower Chair

| Part No.   | Dimensions          |                     |                     |                              |
|------------|---------------------|---------------------|---------------------|------------------------------|
|            | A                   | B                   | C                   | D                            |
| LI2137.021 | 22.4 in<br>(570 mm) | 19.5 in<br>(495 mm) | 21.7 in<br>(550 mm) | 12.6–18.9 in<br>(320–480 mm) |
| LI2137.121 | 19.3 in<br>(490 mm) | 16.3 in<br>(415 mm) | 18.5 in<br>(470 mm) | 12.6–15.7 in<br>(320–400 mm) |

- Independent swivel armrests, ergonomic shape
- Backrest HT-cover\* material
- Hinged soft toilet seat with open or closed front
- Rails for bedpan and bucket 11.8–12.4 in dia (Ø 300–315 mm)
- Four double braked castors 4.9 in dia (Ø 125 mm)
- Adjustable swing-up footrests
- Seat height LI2137.011/021 is 24 in (610 mm)
- Seat height LI2137.111/121 is 20.9 (530 mm)
- Safe working load (SWL) 440 lb (200 kg)
- SWL on armrest 220 lb (100 kg)

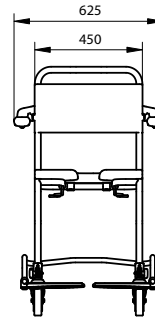
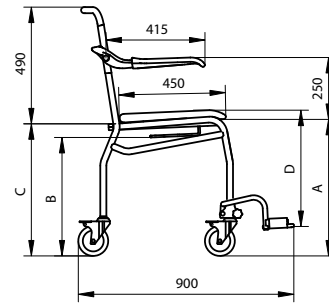
\*Hygiene & Transfer: coated woven polyester textile

### Mobile Commode / Shower Chair, 610 mm Seat Height

| Part No.       | Description  |
|----------------|--|
| LI2137.0111-02 | Toilet seat with closed front, coated steel white            |
| LI2137.0211-02 | Toilet seat with open front, coated steel white              |
| LI2137.0114-02 | Toilet seat with closed front, coated stainless steel white  |
| LI2137.0214-02 | Toilet seat with open front, coated stainless steel white    |
| LI2137.0112-00 | Toilet seat with closed front, polished stainless steel      |
| LI2137.0212-00 | Toilet seat with open front, coated polished stainless steel |

### Mobile Commode / Shower Chair, 530 mm Seat Height

| Part No.       | Description  |
|----------------|--|
| LI2137.0111-02 | Toilet seat with closed front, coated steel white            |
| LI2137.0211-02 | Toilet seat with open front, coated steel white              |
| LI2137.0114-02 | Toilet seat with closed front, coated stainless steel white  |
| LI2137.0214-02 | Toilet seat with open front, coated stainless steel white    |
| LI2137.0112-00 | Toilet seat with closed front, polished stainless steel      |
| LI2137.0212-00 | Toilet seat with open front, coated polished stainless steel |



LI2137.0211-02

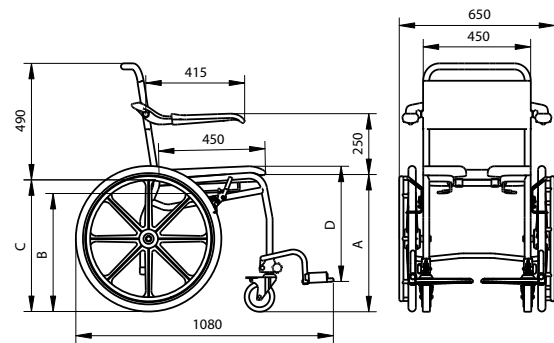
# Commode / Shower Chairs

## Commode / Shower Chair (Self-Propelling)

| Part No.   | Dimensions          |                     |                     |                              |
|------------|---------------------|---------------------|---------------------|------------------------------|
|            | A                   | B                   | C                   | D                            |
| LI2138.021 | 22.4 in<br>(570 mm) | 19.5 in<br>(495 mm) | 21.7 in<br>(550 mm) | 12.6–18.9 in<br>(320–480 mm) |
| LI2138.121 | 19.3 in<br>(490 mm) | 16.3 in<br>(415 mm) | 18.5 in<br>(470 mm) | 12.6–15.7 in<br>(320–400 mm) |

- Independent swivel armrests, ergonomic shape
- Backrest HT-cover\* material
- Hinged soft toilet seat with open or closed front
- Distance from wall to center of toilet opening:  
21.5 in (545 mm)
- Rails for bedpan and bucket 11.8–12.4 in dia  
(Ø 300–315 mm)
- Double braked castors Ø 4.9 in (125 mm) and molded  
24 in wheels with brake and rim
- Adjustable swing-up footrests
- Seat height LI2138.011/021 is 24.0 in (610 mm)
- Seat height LI2138.111/121 is 20.9 in (530 mm)
- Safe working load (SWL) 440 lb (200 kg)
- SWL on armrest 220 lb (100 kg)

\*Hygiene & Transfer: coated woven polyester textile



LI2138.1211-02

### Mobile Commode / Shower Chair, 610 mm Seat Height

| Part No.       | Description  |
|----------------|--|
| LI2138.0111-02 | Toilet seat with closed front, coated steel white            |
| LI2138.0211-02 | Toilet seat with open front, coated steel white              |
| LI2138.0114-02 | Toilet seat with closed front, coated stainless steel white  |
| LI2138.0214-02 | Toilet seat with open front, coated stainless steel white    |
| LI2138.0112-00 | Toilet seat with closed front, polished stainless steel      |
| LI2138.0212-00 | Toilet seat with open front, coated polished stainless steel |

### Mobile Commode / Shower Chair, 530 mm Seat Height

| Part No.       | Description  |
|----------------|--|
| LI2138.0111-02 | Toilet seat with closed front, coated steel white            |
| LI2138.0211-02 | Toilet seat with open front, coated steel white              |
| LI2138.0114-02 | Toilet seat with closed front, coated stainless steel white  |
| LI2138.0214-02 | Toilet seat with open front, coated stainless steel white    |
| LI2138.0112-00 | Toilet seat with closed front, polished stainless steel      |
| LI2137.0212-00 | Toilet seat with open front, coated polished stainless steel |

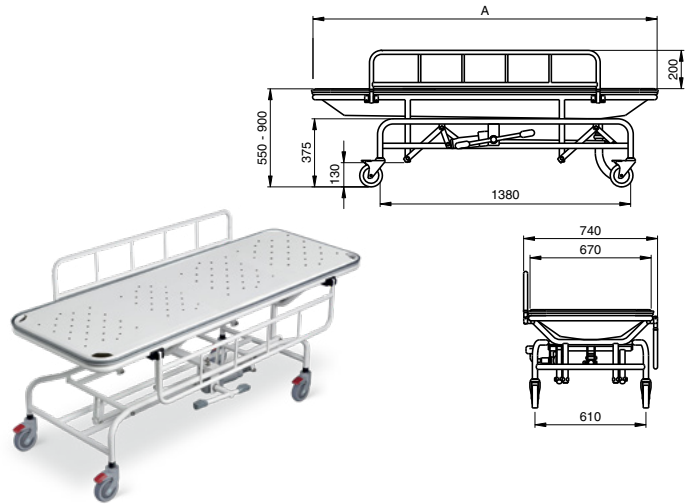
# Shower Trolleys

## Height Adjustable Shower Trolley

| Part No.   | Length            |
|------------|-------------------|
|            | <b>A</b>          |
| LI2513.150 | 59.3 in (1505 mm) |
| LI2513.170 | 67.1 in (1705 mm) |
| LI2513.190 | 75.0 in (1905 mm) |

- HT-cover\* material
- Four double braked castors 4.9 in dia (Ø 125 mm)
- PVC water receiver with flexible hose of 39.4 in (1000 mm)
- Height adjustable via hydraulic pump
- Two hinged side fences
- Only available in the dimensions as mentioned

\*Hygiene & Transfer: coated woven polyester textile



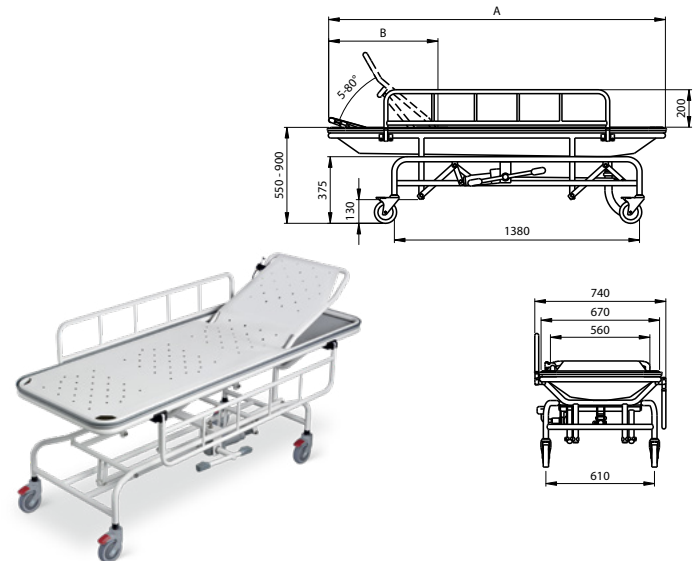
| Part No.       | Description  |
|----------------|--|
| LI2513.1904-02 | Length 74.8 in (1900 mm), coated stainless steel white |

## Height Adjustable Shower Trolley

| Part No.   | Dimensions        |                  |
|------------|-------------------|------------------|
|            | A                 | B                |
| LI2514.150 | 59.3 in (1505 mm) | 18.3 in (465 mm) |
| LI2514.170 | 67.1 in (1705 mm) | 24.2 in (615 mm) |
| LI2514.190 | 75.0 in (1905 mm) | 24.2 in (615 mm) |

- HT-cover\* material
- Four double braked castors 4.9 in dia (Ø 125 mm)
- Adjustable backrest by means of a gas spring
- PVC water receiver with flexible hose of 39.4 in (1000 mm)
- Height adjustable via hydraulic pump
- Two hinged side fences
- Only available in the dimensions as mentioned

\*Hygiene & Transfer: coated woven polyester textile

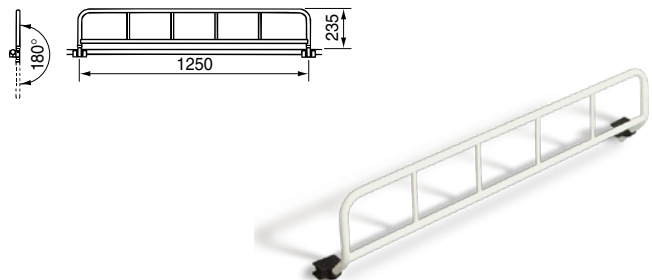


| Part No.       | Description  |
|----------------|--|
| LI2514.1904-02 | Length 74.8 in (1900 mm), coated stainless steel white |

## Hinged Side Fence

- Suitable for all Linido shower stretchers and shower trolleys
- Includes plastic mounting clamps

| Part No.       | Description  |
|----------------|--|
| LI2590.1254-02 | Length 49.2 in (1250 mm), coated stainless steel white |



# Combi Commode / Shower Chairs, Mobile

## Combi Shower Chair, Attendant Operated

- Stainless steel frame for wet environments and durability
- Height adjustable frame
- Independent swivel armrests made from soft polyurethane
- Detachable seat and backrest, seat with keyhole shaped opening
- Four maintenance free castors 3.9 in dia (Ø 100 mm) with double brake
- Safe working load (SWL) 330 lb (150 kg)
- SWL Heavy Duty 440 lb (200 kg)
- Footrests and other accessories can be ordered separately



201903314

| Part No.  | Description  |
|-----------|--|
| 201904314 | Standard Seat height (including toilet seat) 19.9–24.8 in (505–630 mm)               |
| 201903314 | Low Seat height (including toilet seat) 17.9–21.5 in (455–545 mm)                    |
| 201911314 | Heavy Duty: seat height (including toilet seat) 19.9–24.8 in (505–630 mm) extra wide |

## Combi Shower Chair, Self-Propelled

- Stainless steel frame for wet environments and durability
- Height adjustable frame (via snaplock clips) allows adjustment for different user heights as well as placement of the chair over different toilets heights
- Independent swivel armrests made from soft polyurethane
- Detachable seat and backrest, seat with keyhole shaped opening
- Two maintenance free castors 3.9 in dia (Ø 100 mm) with double brake and 2 self-propelling wheels 24 in with hoop
- Safe working load (SWL) 330 lb (150 kg)
- Footrests and other accessories can be ordered separately



201921314

| Part No.  | Description |
|-----------|-------------|
| 201921314 | Standard    |
| 201930314 | Extra wide  |

# Combi Commode / Shower Chairs, Mobile

## Combi Tilt Commode / Shower Chair, Attendant Operated

- Combi tilt, manual operation: gas spring adjustable by a handle
- Combi powered, electrical operation with remote control
- Stainless steel frame for wet environments and durability
- Height adjustable frame
- Independent swivel armrests made from soft polyurethane
- Detachable seat and backrest, seat with keyhole shaped opening
- Four maintenance free castors 4.9 in dia (Ø 125 mm) with double brake
- Safe working load (SWL) 330 lb (150 kg)
- Footrests and other accessories can be ordered separately



201942314

| Part No.  | Description             |
|-----------|-------------------------|
| 201941314 | Manual tilt             |
| 201942314 | Electrical powered tilt |

## Accessories for Combi Commode / Shower Chairs



201060004



853100033



853100034



201030310



200810004



201040314



200360004



# Combi Commode / Shower Chairs

## Amputee Support

| Part No.  | Description  |
|-----------|--|
| 201060004 | Left or right, for all Combi chair models and variants |

## Armrest Lock

| Part No.  | Description                                     |
|-----------|---|
| 201030310 | 1 pair, for all Combi chair models and variants |

## Bucket with Lid

| Part No.  | Description  |
|-----------|--|
| 853100033 | Round, grey plastic, for all variants of Combi chairs attendant operated and Combi, self-propelled |
| 853100034 | Keyhole shaped, white plastic, for all Combi chair models and variants                             |

## Footrests

| Part No.  | Description                                     |
|-----------|---|
| 200810004 | 1 pair, for all Combi chair models and variants |

## Front Cross Bar

| Part No.  | Description  |
|-----------|--|
| 201040314 | For all Combi chair models and variants with standard width; recommended for use with the Armrest lock accessory |

## Headrest

| Part No.  | Description  |
|-----------|--|
| 200360004 | Padded polyurethane, for all Combi chair models and variants |



200384004



201070314



201130314



200382004



201061004



853100604

## Heel and Calf Strap

| Part No.  | Description                             |
|-----------|---|
| 200360004 | For all Combi chair models and variants |

## Hip Belt

| Part No.  | Description                             |
|-----------|---|
| 200382004 | For all Combi chair models and variants |

## Lateral Trunk Support

| Part No.  | Description   |
|-----------|---|
| 201070314 | <b>Right:</b> for all Combi chair models and variants |
| 201072314 | <b>Left:</b> for all Combi chair models and variants  |

## Leg Support

| Part No.  | Description   |
|-----------|---|
| 201061004 | For Amputee support 201060004, with all Combi chair models and variants |

## Soft Backrest

| Part No.  | Description   |
|-----------|---|
| 201130314 | <b>Standard:</b> textile with Velcro, for Combi, attendant operated with standard height and width    |
| 201131314 | <b>Tilt Chairs:</b> textile with Velcro, for Combi, attendant operated with standard height and width |

## Transport Seat Cover

| Part No.  | Description                             |
|-----------|---|
| 853100604 | For all Combi chair models and variants |

# Technical Information

---

## Maintenance

For all products used in the bathroom, rinse after every use with clean water, clean with mild non-abrasive cleaners only.

## Guarantee

Two years warranty on all products, excluding the cushioned cover for shower seat (LI09506.400) and Neoprene parts, which is one year.

Linido bathroom solutions conform to the highest standards and comply to the requirements of NEN-EN12182 and to the directive medical devices 93/42/EEG. We are ISO 9001, ISO 13485 and NKH certified.



## Material Specifications

- Steel ST37.2, DIN 17100, 1.125 x 0.5 in dia (Ø 29 x 13 mm)
- Steel ST37.2, DIN 17100, 1.1 in x 0.5 in (Ø 28 x 13 mm)
- Stainless steel AISI 304, 1.0 x 0.5 in dia (Ø 25 x 13 mm)
- Stainless steel AISI 316, 1.0 x 0.5 in dia (Ø 25 x 13 mm)
- Plastic shower seats: glassfiber reinforced nylon
- Wall flanges Ergogrip and wall plate hinged arm support: glassfiber reinforced nylon
- Plastic bathroom accessories: PMMA
- HT-cover = Hygiene & Transfer, material: special coated woven polyester textile
- Wall plates of shower seats: stainless steel AISI 304

Moving and/or hinged parts are always made of stainless steel and/or plastic.

## Preparation for Coating

Before coating, steel is alkaline de-greased, phosphated and passified.

## Coating

Epoxy polyester, 0.08–0.1 mm thick. Weather-resistant and hardened (International Buchholz hardness test to DIN 53153: >80). Meets salt spray test to DIN 50021/ASTM B117 (1000 hours, <1mm).

## Isolation Sets

Because of the necessary electrical isolation, products for wall mounting or floor mounting, which are not designed with plastic flanges or wall plates, will be delivered with an isolation set including heavy duty washers and caps.

## Mounting Materials

Linido products will be delivered without any mounting materials, except for bathroom accessories. Determine the type of wall and use suitable fixings. For a durable, reliable mounting, use only corrosion resistant fixing materials.

## Weight Limits for Normal Use

### **Shower Seats**

User weight: maximum 330 lb (150 kg)

User weight for ergonomic shower seat and shower seat combination with a floor support set: maximum 660 lb (300 kg)

Load per armrest: max. 165 lb (75 kg)

### **Hinged Arm Supports**

User weight: max. 330 lb (150 kg)

Lateral pressure: max. 220 lb (100 kg)

### **Grab Rails Ergogrip**

User weight: maximum 330 lb (150 kg)

### **Commode / Shower Chairs**

User weight: maximum 440 lb (200 kg)

Load per armrest: maximum 220 lb (100 kg)

### **Tilting Commode / Shower Chair and Height Adjustable / Tilting Shower Chairs**

User weight: maximum 330 lb (150 kg)

Load per armrest: maximum 220 lb (100 kg)

### **Combi Commode / Shower Chairs**

User weight: maximum 330 lb (150 kg)

Load per armrest: maximum 165 lb (75 kg)

Tolerances for all indicated dimensions are  $\pm 0.25$  in (6 mm)

Handicare reserves the right to modify designs as part of our ongoing product development.

## Maintenance, Washing and Cleaning Instructions

### **Maintenance Before and During Use**

Handicare advises to inspect the product regularly on the following points:

- Make sure that the product is properly installed and / or assembled
- Make sure all screws and bolts are tightened properly
- Make sure clips are in the right position and can safely perform their duties
- Regularly check that all the components are in place and properly tightened
- Check for possible damage

### **Daily Cleaning**

- For optimal hygiene it is recommended to rinse the product immediately after use with hot water or a mild soap solution (PH 6-8). We don't recommend using chlorine, solvents, abrasive or aggressive cleaning agents, as this can cause discoloration of the coating or may damage the material itself. Some parts, such as a seat or bedpan can be removed or folded to facilitate easy cleaning. It is important that these parts are put back correctly.
- After rinsing, the product should be wiped with a clean, damp, soft cloth. The rinse and wipe ensures that soap and secretions are removed immediately to avoid the risk of bacteria growth.
- Allow the product to dry, preferably in a well ventilated area, before it is used again.



**HANDICARE**

10888 Metro Court, St. Louis, MO 63043

Toll Free: 866.891.6502 | Fax: 314.692.7858

[customerservice.northamerica@handicare.com](mailto:customerservice.northamerica@handicare.com)

[www.handicareusa.com](http://www.handicareusa.com)

485 Millway Avenue, Unit 2, Concord, ON, L4K 3V4

Toll Free: 877.304.5438 | Fax: 416.260.0256

[customerservice.northamerica@handicare.com](mailto:customerservice.northamerica@handicare.com)

[www.handicare.ca](http://www.handicare.ca)

Make your bathroom a safe place!

To learn more, call 1-888-637-8155 or  
visit [www.handicareusa.com](http://www.handicareusa.com) / [handicare.ca](http://handicare.ca)