

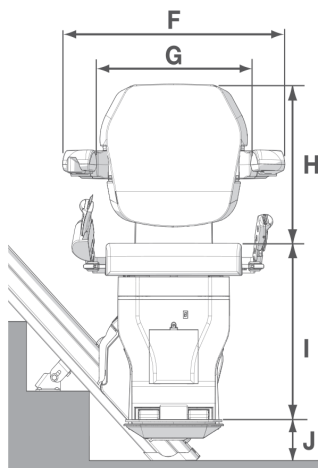
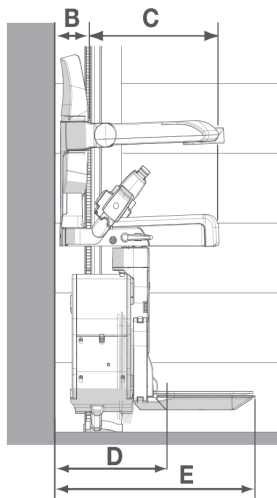
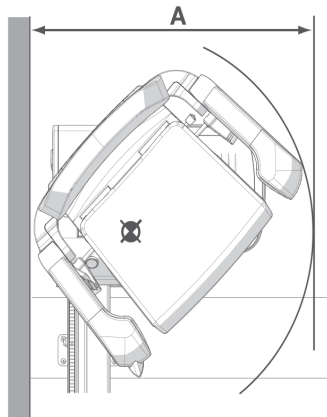


Handicare Xclusive

Straight stairlifts

Handicare Xclusive

Straight stairlifts



Xclusive Seat		Dimensions
A	Minimum swivel radius	27.55in
B	Wall to inner seat back	3.74in
C	Seat depth	14.96in
D	Minimum folded width to footplate	12.99in
E	Minimum open width to edge footplate	22.04in
F	Armrest width – external	25.59in
G	Armrest width – internal	17.71in
H	Seat back height	16.53in
I	Footplate to seat height	15.94in
	One spacer	18.11in
	Two spacer	19.88in
J	Minimum footplate height	3.93in
Maximum weight limit		286lbs
Speed		0.15m/sec
Staircase angle		30-45°

Some of the above dimensions depend on the characteristics of the staircase in the home. Please consult the sales manual for further information about these dimensions and features of this seat. All information is provided in good faith but does not constitute a guarantee. Handicare reserves the right to alter designs and specifications without prior notice.

HANDICARE
10888 Metro Court
St. Louis, MO 63043
866.891.6502
handicareusa.com