

# Three-Function Manual Bed



Metal Siderails Available

Amico's Behavioural Bed is designed to meet the requirements specific to the behavioural environment. Features include: A hydraulic foot pump that allows caregivers to manually raise and lower the bed. Unique tie down restraints that allow the caregivers to conveniently restrain the patient. Dual foot tie downs allows for various patient heights. Removable brake handle to prevent patients from accessing the brake system, secure siderails, manual head adjustment, and knee gatch. The Behavioural Bed has been custom tailored by some of the industry leaders to provide you this unique product.

## Key Features:

- Hi and Low hydraulic movement
- Stationary litter sections optional
- Sturdy and secure siderails
- Manually adjustable head and foot
- Restrain loops
- Mattress retainer
- Removable brake pedal
- 300 lbs (136 kg) weight capacity
- Minimal gaps and openings on surface of bed

# Technical Specifications



## Model Number & Approval

Model Number	B-M-AC-PSYCH
--------------	--------------

## Overall Dimensions

Overall Length	84" (213 cm)
Overall Width	43" (109 cm)

## Litter Positioning

Backrest	0° - 60°
Knee Gatch	0° - 23°

## Height Range

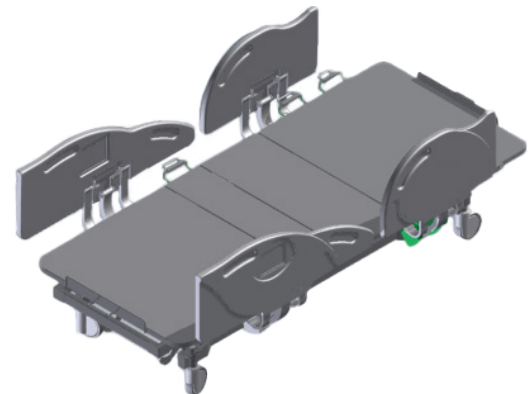
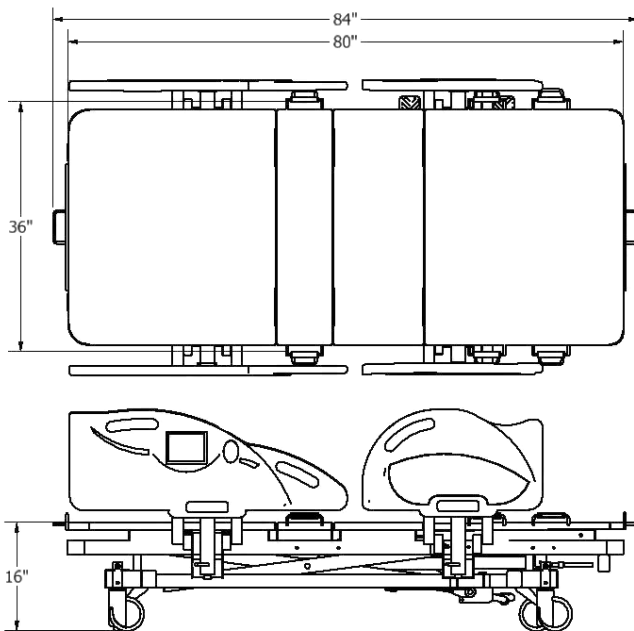
Lowest	17" (43cm)
Highest	26" (66 cm)

## Surface Dimensions

Surface Width	36" (91 cm)
Surface Length	80" (203 cm)

## Weight Capacity & Caster Dimension

Maximum Weight Limit	300 lbs (136 kg)
Caster Diameter	5" (13 cm)



Amico Beds Corporation reserves the right to change product specifications without notice.

**Warranty:** Three years parts

Amico Beds Corporation 85 Fulton Way, Richmond Hill, ON L4B 2N4, Canada | 600 Prime Place, Hauppauge, NY 11788, USA  
Toll Free Tel: 1.877.462.6426 | Toll Free Fax: 1.866.440.4986 | Tel: 905.764.0800 | Fax: 905.764.0862