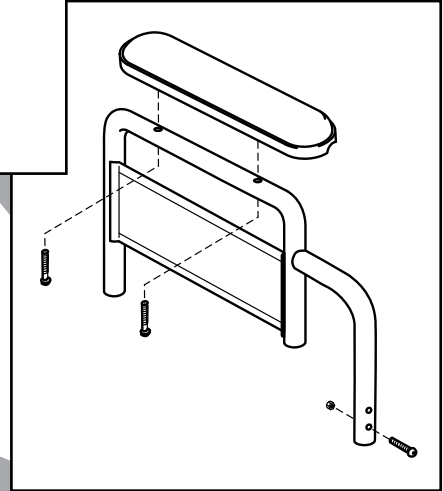
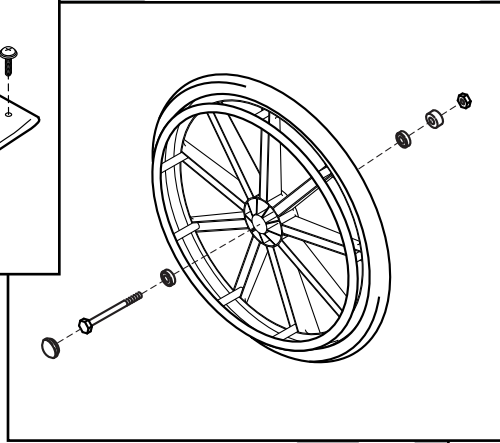
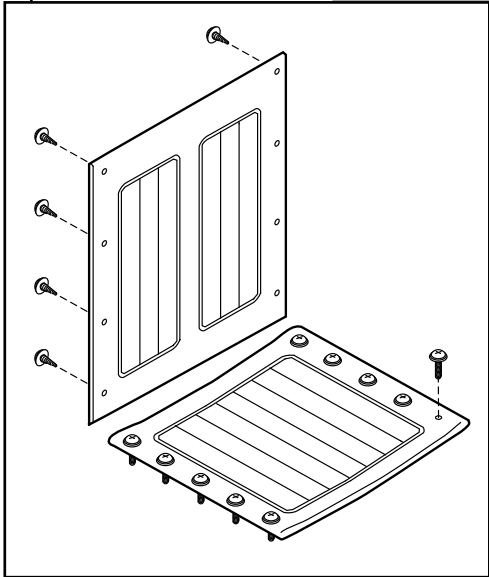




PARTS CATALOG



CONTENTS

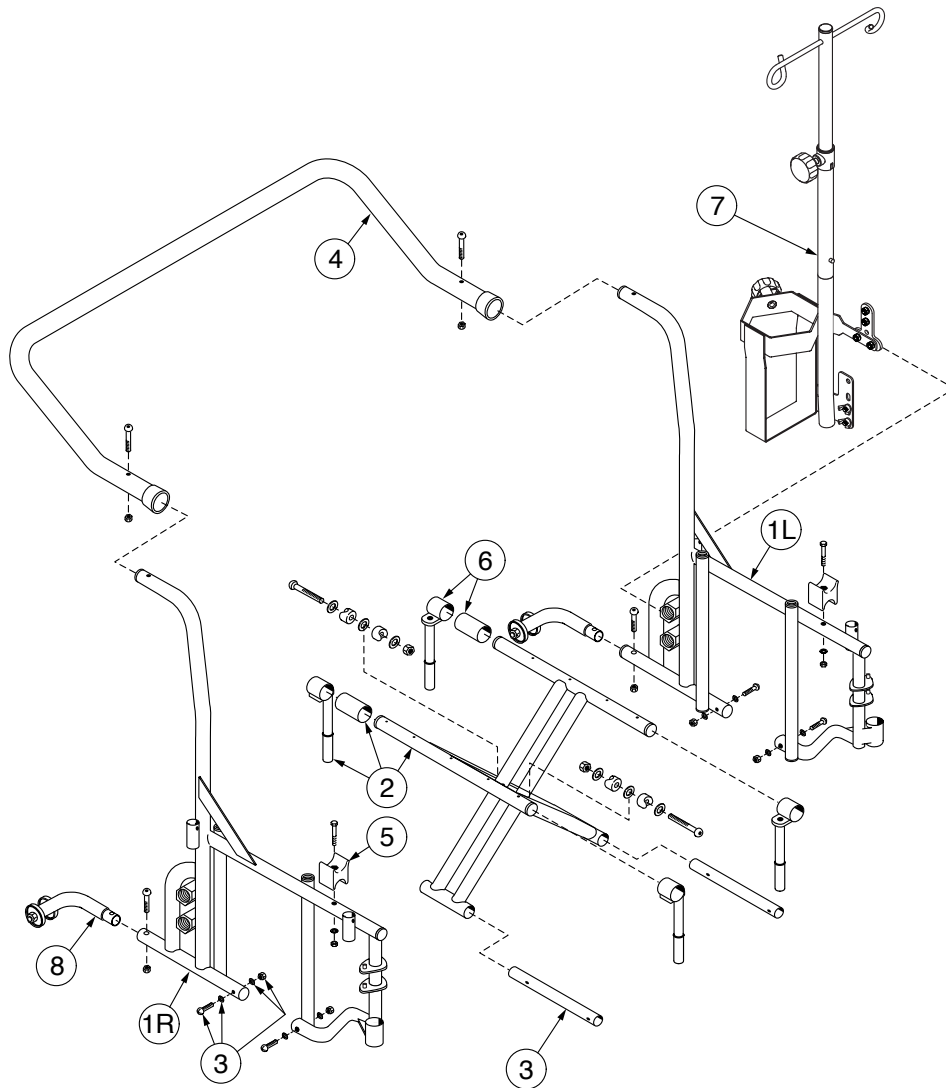
SIDEFAME AND CROSSBRACE	3
ARM, DETACHABLE	4
UPHOLSTERY	4
REAR WHEEL	5
CASTER.....	5
FRONT RIGGING, DETACHABLE	6
ACCESSORIES	7

TO ORDER

Tel: 1-770-368-4700 • Fax: 1-770-368-2386

Returns: Parts may not be returned without prior authorization from GF Health Products, Inc. Custom parts cannot be returned for credit. Please refer to GF Health Products, Inc. [Terms and Conditions](#) for further information.

SIDEFRADE AND CROSSBRACE



1 Sideframe, all widths

Right 90763601
 Left 90763602

2 Crossbrace, pair

Includes slides, center bolt and nut

20" W 907634C1
 22" W 907634C2
 24" W 907634C3

3 Bottom inner rail kit

Includes bottom inner rail (pair), screw and nut that hold bottom inner rail (4 each), and sleeve (pair) ... 90763503

4 Push handle

Includes hardware

20" W 907636B1
 22" W 907636B2
 24" W 907636B3

5 Seat rail cradle, screw, washer and nut (pair)

..... 90763403

6 Seat slide and seat rail sleeve (2 each)

..... 90763404

7 O₂-IV holder *

..... B10320F

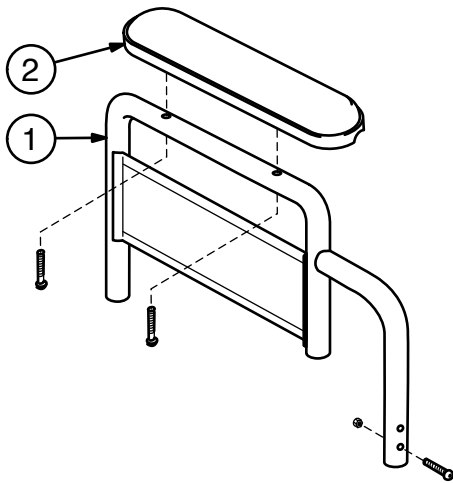
8 Anti-tippers, pair

(Includes hardware) 90763650

* *Note: O₂-IV Holder, black-painted, is standard and included on Traveler HTC models with serial numbers after HYT039WC.*

If you wish to order the O₂-IV Holder individually, please order B10320F, chrome-plated O₂-IV holder (black-painted O₂-IV holder is not available separately from wheelchair).

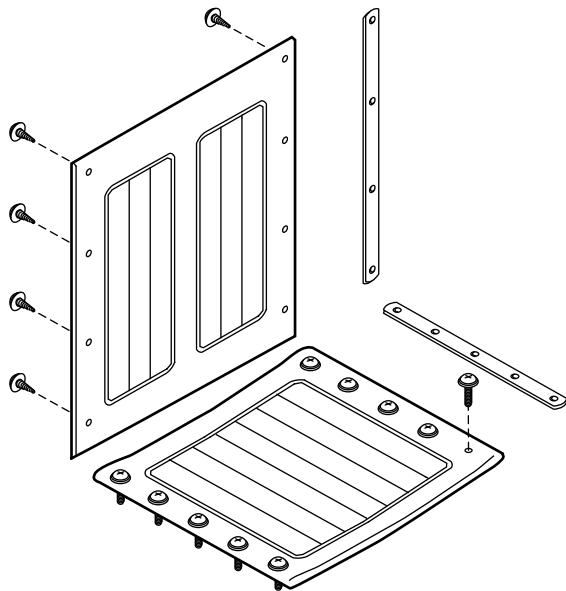
ARM, DETACHABLE



- 1 Arm, detachable desk length fixed-height, pair
Includes right and left arm with side panel and mounting hardware (does not include arm pad) 90763620

- 2 Arm pad, desk length, pair
Includes two black arm pads and mounting screws 90763022

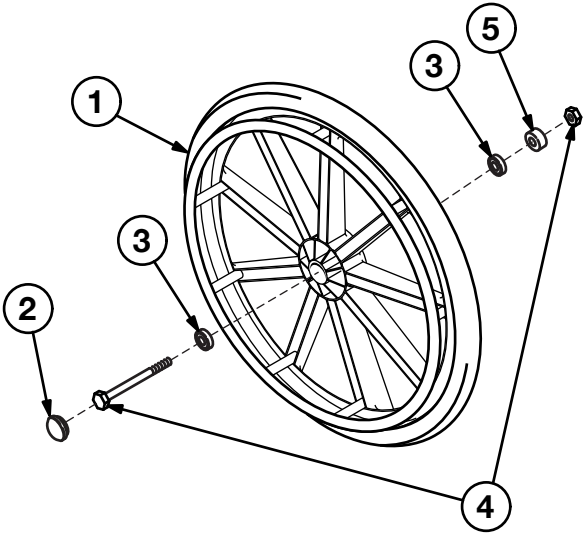
UPHOLSTERY



- Back upholstery, black leatherette, with built-in chart holder
Includes mounting strips and screws
- 20" W 907636A1
- 22" W 907636A2
- 24" W 907637A3

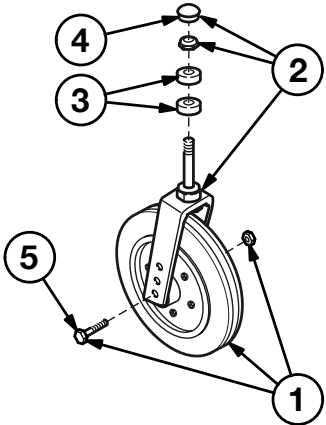
- Seat upholstery, black leatherette
Includes mounting strips and screws
- 20" W x 18" D 907634B1
- 22" W x 18" D 907634B2
- 24" W x 18" D 907634B3

REAR WHEEL



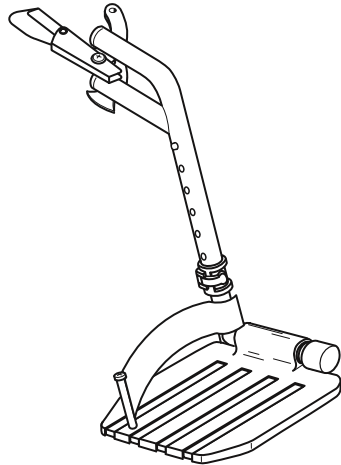
- 1 Rear wheel with handrim, 24" x 1", polyurethane tire
Includes hub cap and bearing;
does not include axle or nut..... 90763450
- 2 Hub cap (10 each)..... 90763451
- 3 Wheel bearing (10 each) 90763452
- 4 Rear axle and nut (10 each)..... 90763453
- 5 Spacer (10 each)..... 90763454

CASTER



- Complete caster (fork and wheel),
8" x 2" solid urethane tire 90763440
- 1 Caster wheel, axle and nut 90763441
- 2 Caster fork, stem nut and dust cap 90763042
- 3 Caster stem bearing (10 each) 90763043
- 4 Caster dust cap (10 each)..... 90763044
- 5 Caster axle and nut (10 each)..... 90763045

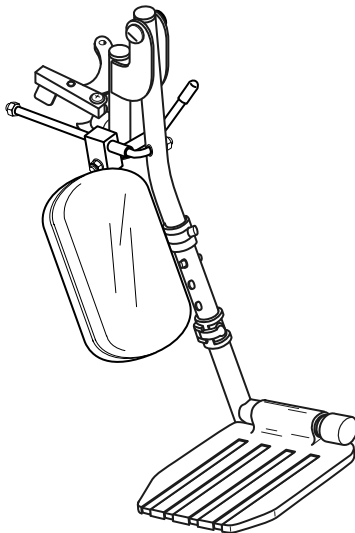
FRONT RIGGING, DETACHABLE



Optional footrest, pair, all widths
Includes right and left hanger with release
and aluminum footplate with extension
and heel loop 90763430

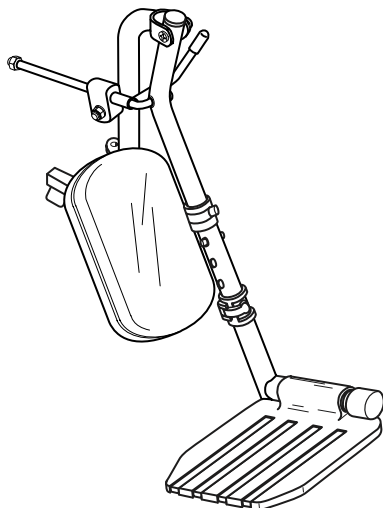
Aluminum footplate (pair)
(Fits all front rigging) 90763433

Anti-Theft nut (set of 4)
(Fits all front rigging) 90763630



Low-pivot elevating legrest, pair, all widths
Includes right and left hanger with release,
aluminum footplate with extension, and
legrest panel (does not include
heel loop) 90763431

Elevating legrest panel kit
(Fits all elevating legrests)
Includes 2 black padded panels
and hardware90763032



High-pivot elevating legrest, pair, all widths
Includes right and left hanger with release,
aluminum footplate with extension, and
legrest panel (does not include
heel loop)90763435

Traveler HTC accessories (not shown)

1	Heel loop, pair.....	90763064
2	Attendant wheel lock, pair (Includes hardware)	90763640
3	Rubber tip, wheel lock (10 each).....	90763063
4	Positioning belt (metal buckle)	90133125
5	O ₂ cylinder holder	B10325
6	O ₂ -IV holder *	B10320F

* *Note: O₂-IV Holder, black-painted, is standard and included on Traveler HTC models with serial numbers after HYT039WC.*

If you wish to order the O₂-IV Holder individually, please order B10320F, chrome-plated O₂-IV holder (black-painted O₂-IV holder is not available separately from wheelchair).



1.770.368.4700

Information contained herein is subject to change.
The most current and complete product information can be found on our website.
www.grahamfield.com

Follow us on   

© 2012, GF Health Products, Inc. All Rights Reserved.

E&J, Everest & Jennings, Graham-Field, and Traveler are trademarks of
GF Health Products, Inc., One Graham-Field Way, Atlanta GA 30340-3140

GF Health Products, Inc. is an ISO 13485 Certified Company.