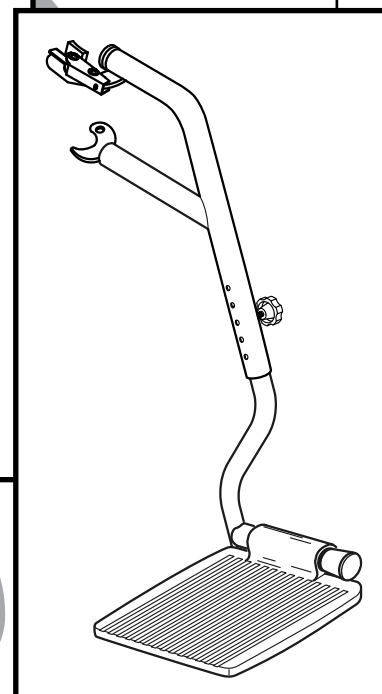
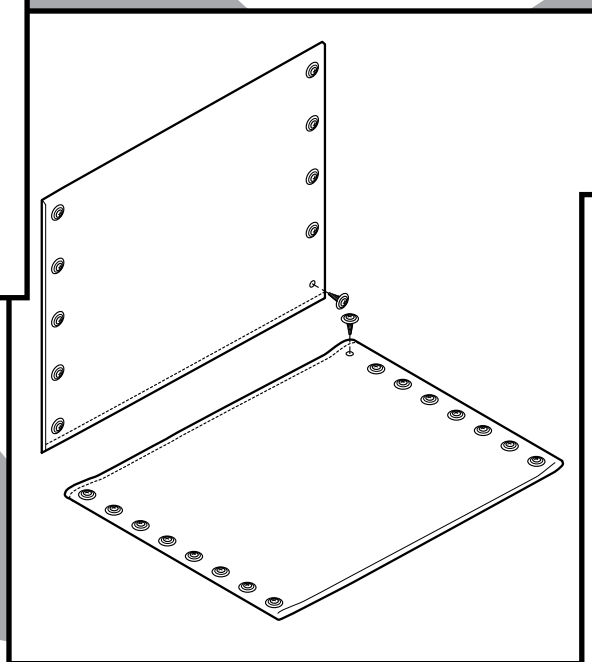
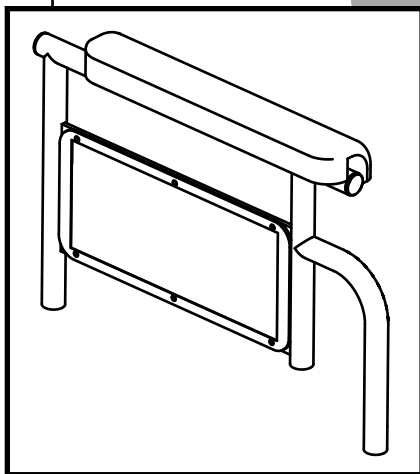


PARAMOUNT™ XD

PARTS CATALOG



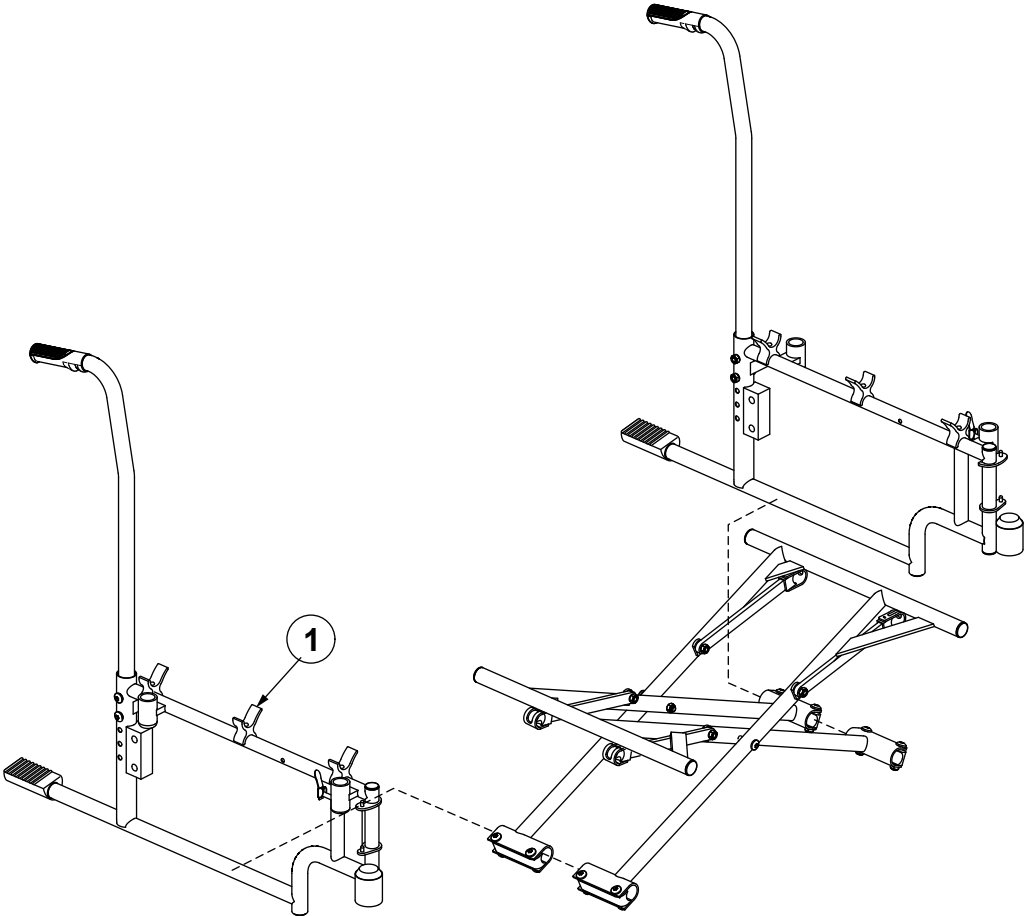
CONTENTS

SIDEFAME	3
ARM	4
CASTER.....	4
FOOTREST	5
ELEVATING LEGREST	5
REAR WHEEL	6
WHEEL LOCK	6
BACK AND SEAT UPHOLSTERY.....	7
ACCESSORIES	7

TO ORDER

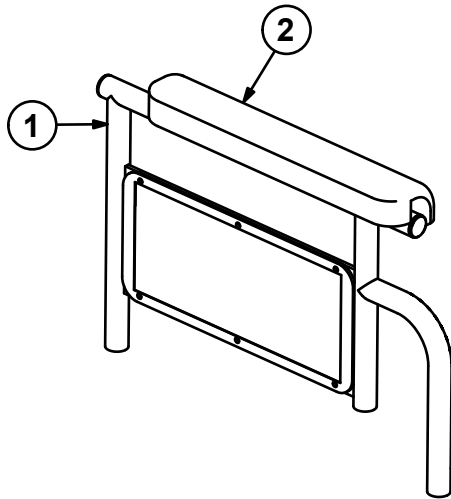
Tel: 1.770.368.4700 • Fax: 1.770.368.2386

Returns: Parts may not be returned without prior authorization from GF Health Products, Inc. Custom parts cannot be returned for credit. Please refer to GF Health Products, Inc. Terms and Conditions for further information.



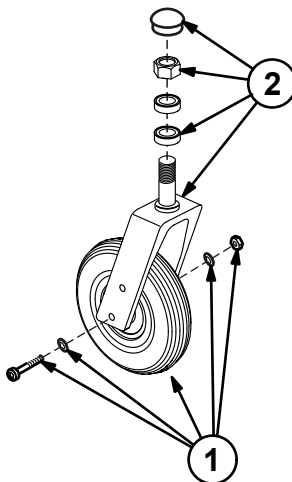
1 Cradle, 6 each; includes mounting hardware 90762909

ARM

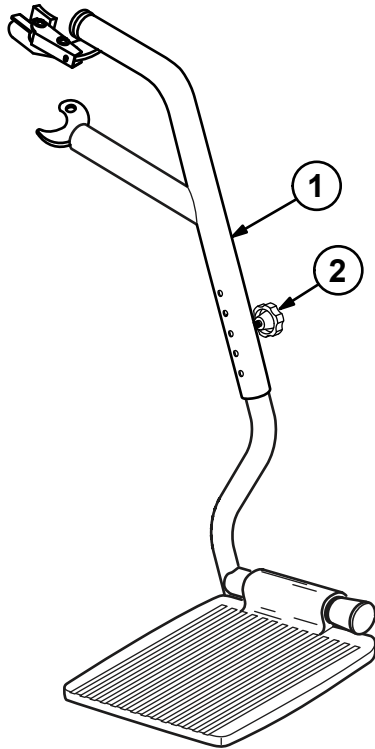


- 1 Arm, detachable fixed height desk-length, pair; includes left and right arm with side panel, spring lock, and black polyurethane arm pad 90762910
- 2 Replacement arm pad, desk-length, pair; includes 2 black polyurethane arm pads and mounting screws90762911

CASTER

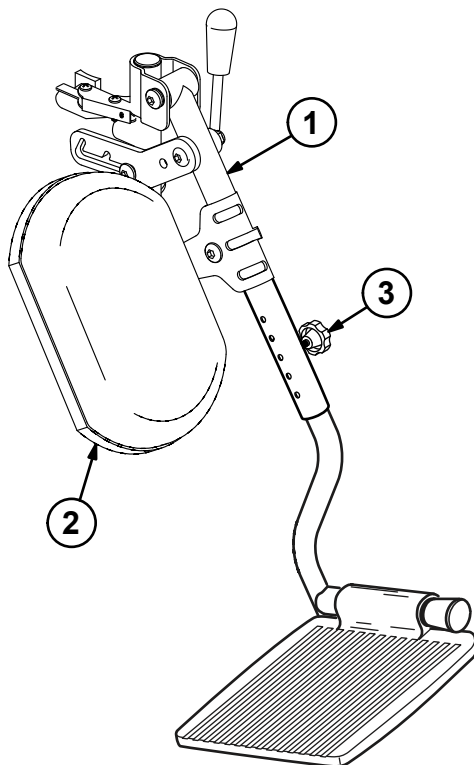


- 1 Caster wheel, axle and nut; includes washers and axle bearings..... 90762913
- 2 Caster fork, stem nut, dust cap and washer..... 90762914



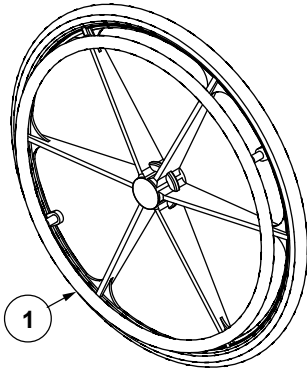
- 1 Footrest, swingaway and detachable, pair (left shown); includes right and left hanger, release, height-adjust knob, and aluminum footplate with extension90762918
- 2 Replacement height-adjust knob, black plastic, pair 90762938

ELEVATING LEGREST

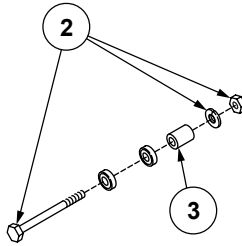


- 1 Elevating legrest, swingaway and detachable, pair (left shown); includes right and left hanger with release, height-adjust knob, panel, and aluminum footplate with extension 90762919
- 2 Elevating legrest panel; includes 2 black leatherette padded panels and hardware 90762920
- 3 Replacement height-adjust knob, black plastic, pair 90762938

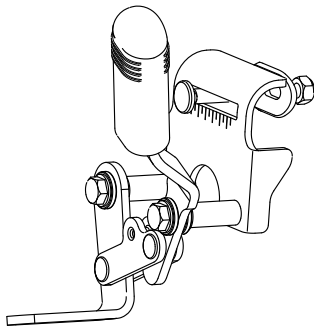
REAR WHEEL



- 1 Rear wheel, 24" black composite, with solid gray rubber tire and chrome handrim; includes hub cap and wheel bearings..... 90762922
- 2 Axle, nut and washer, 10 each 90762925
- 3 Spacer, 10 each 90762926



WHEEL LOCK



- Wheel lock, push to lock, pair; includes rubber tips 90762927

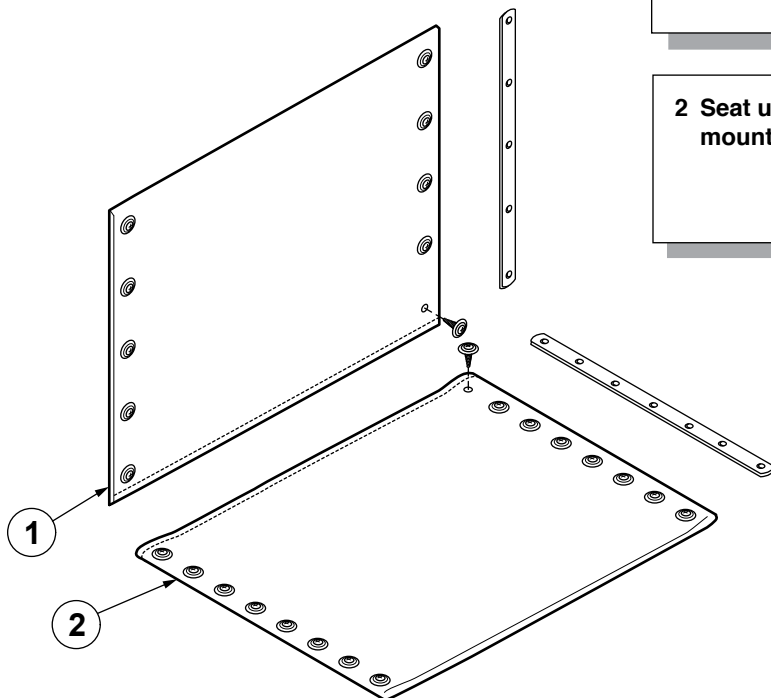
BACK AND SEAT UPHOLSTERY

1 Back upholstery, black nylon; includes mounting strips and hardware

26" W..... 90762928
30" W..... 90762929

2 Seat upholstery, black nylon; includes mounting strips and hardware

26" W x 18" D 90762930
30" W x 18" D 90762931



ACCESSORIES

Paramount XD Accessories (Not Shown)

- 1 Wheel lock extension, 10 1/2", pair 90762936
- 2 Positioning belt with metal buckle 90762937
- 3 Anti-tipper, pair..... 9A000022
- 4 O2/IV HOLDER COMBO B10320F
- 5 O2 HOLDER ONLY B10325
- 6 Anti-fold bar, chromed, lower frame with telescopic 22"-30" width..... 92523851



1.770.368.4700

Information contained herein is subject to change.
The most current and complete product information can be found on our website.
www.grahamfield.com

Follow us on  

© 2011, GF Health Products, Inc. All Rights Reserved.
Everest & Jennings and Paramount are trademarks of GF Health Products, Inc.,
One Graham-Field Way, Atlanta GA 30340-3140

GF Health Products, Inc. is an ISO 13485 Certified Company.