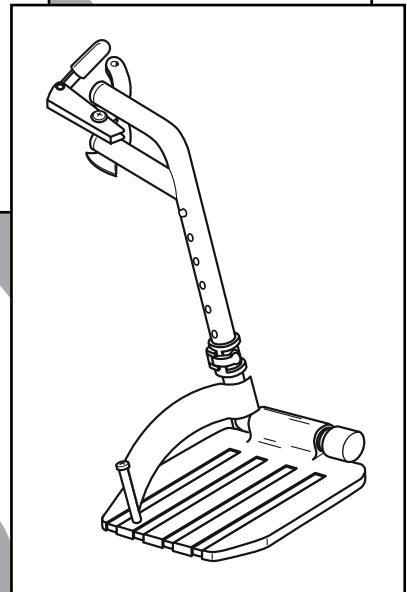
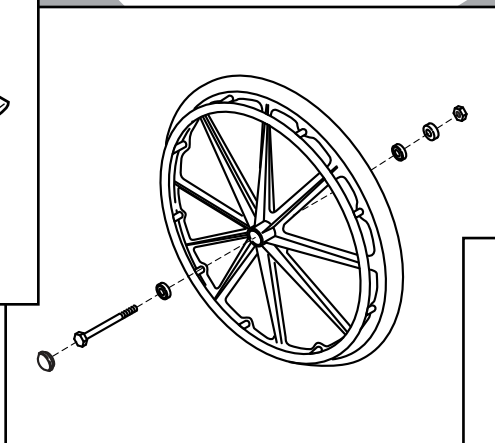
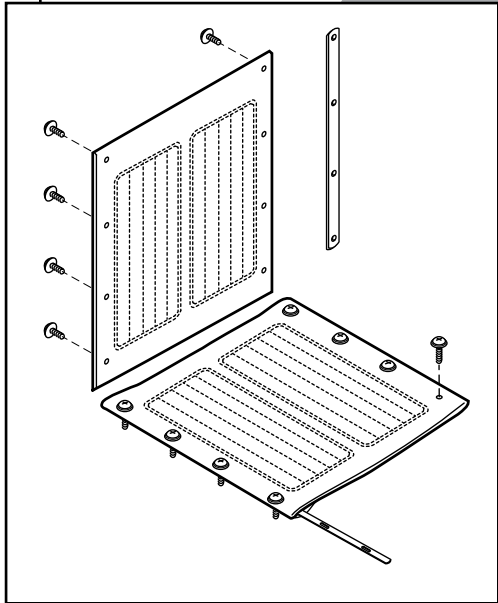




PARTS CATALOG



CONTENTS

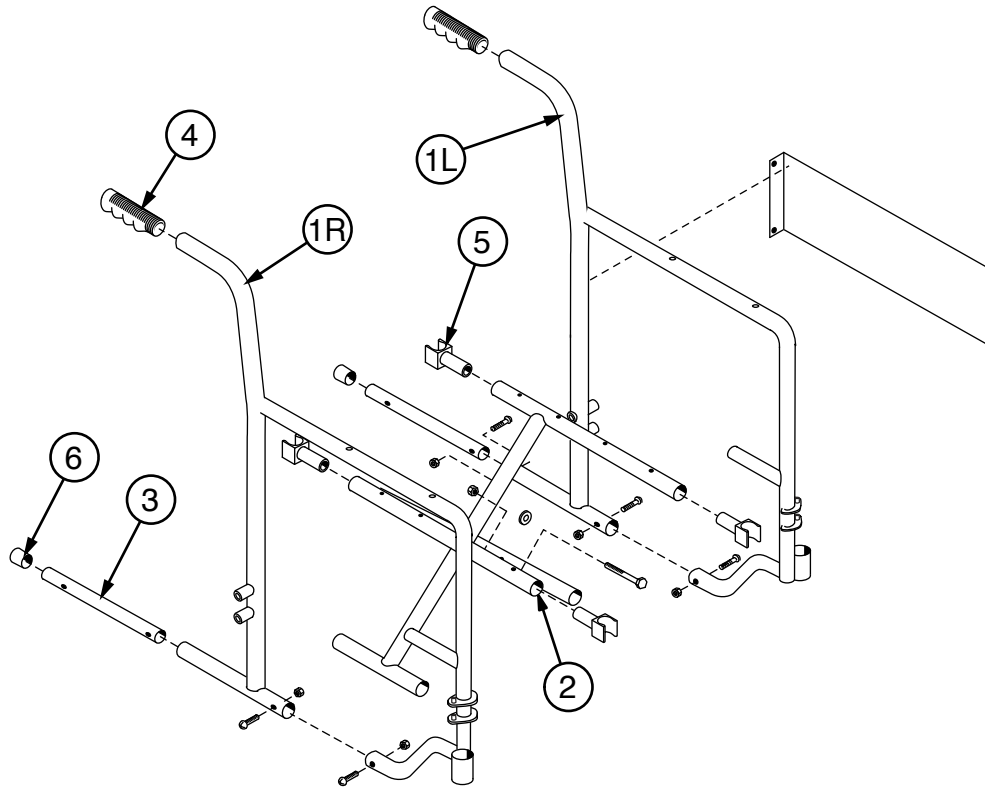
SIDEFAME (FIXED ARM), CROSSBRACE, ARM PAD KIT	3
SIDEFAME (DETACHABLE ARM), CROSSBRACE.....	4
ARM, DETACHABLE	5
CASTER.....	5
REAR WHEEL	6
FRONT RIGGING, DETACHABLE	6
UPHOLSTERY	7
ACCESSORIES	7

TO ORDER

Tel: 1.770.368.4700 • Fax: 1.770.368.2386

Returns: Parts may not be returned without prior authorization from GF Health Products, Inc. Custom parts cannot be returned for credit. Please refer to GF Health Products, Inc. [Terms and Conditions](#) for further information.

SIDEFRADE (FIXED ARM), CROSSBRACE, ARM PAD KIT



**1 Sideframe, fixed arm, all widths, 16" deep
(includes side panel)**

Right.....90763001A
Left90763002A

2 Crossbrace, pair (includes center bolt and nut)
16" Wide x 16" deep907630C1A
18" Wide x 16" deep907630C2A

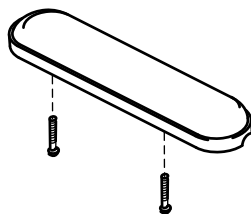
**3 Bottom inner rail kit (includes bottom
inner rail (2 each) and screw and nut that
hold bottom inner rail (4 each)**

..... 90763003A

4 Grip (10 each) 90763005A

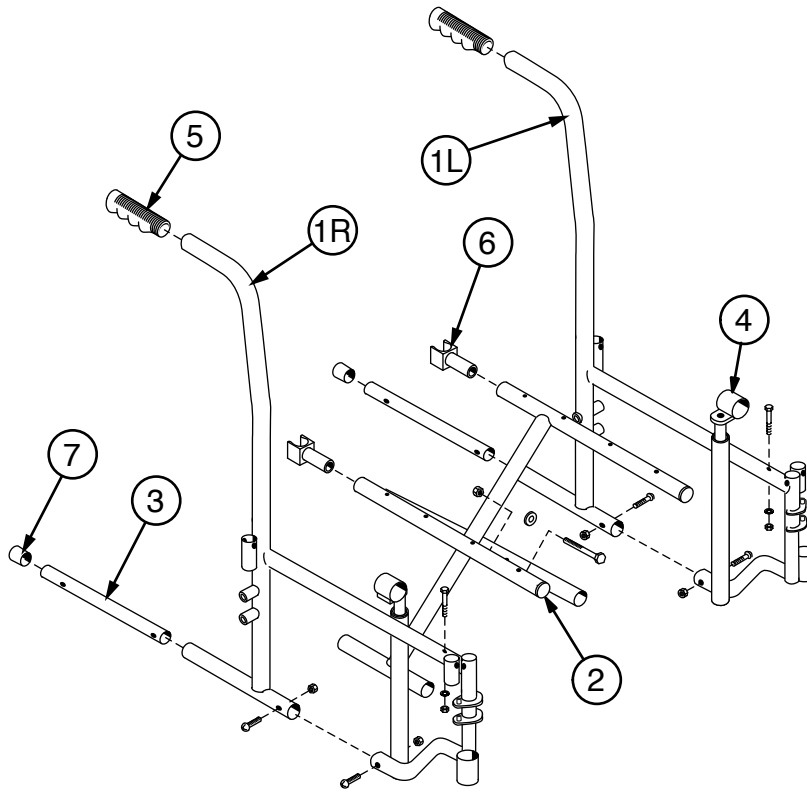
5 Seat rail guide (4 each) 90763004A

6 Tipping sleeve (10 each)..... 90763006A



**Arm pad kit
Includes 2 black full length
arm pads and mounting screws 90763023A**

SIDEFRADE (DETACHABLE ARM), CROSSBRACE



- 1 Sideframe, detachable arm**
 16" x 16", 18" x 16", 20" x 16"
 Right..... 90763011A
 Left..... 90763012A

- 2 Crossbrace, pair (Includes center bolt and nut)**
 16" Wide x 16" deep 907630C1A
 18" Wide x 16" deep 907630C2A
 20" Wide x 16" deep 907630C3A

- 3 Bottom inner rail kit (includes bottom inner rail (2 each) and screw and nut that hold bottom inner rail (4 each))**
 90763003A

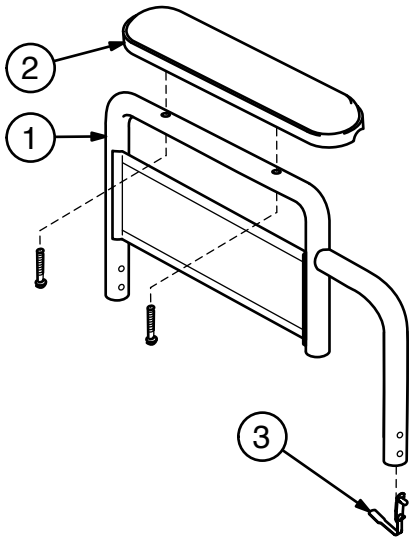
- 4 Seat slide (2 each)..... 90763013A**

- 5 Grip (10 each) 90763005A**

- 6 Seat rail guide, rear (2 each) 90763015A**

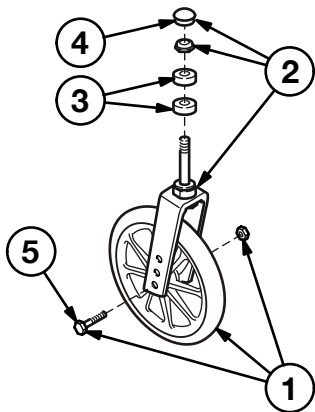
- 7 Tipping sleeve (10 each)..... 90763006A**

ARM, DETACHABLE



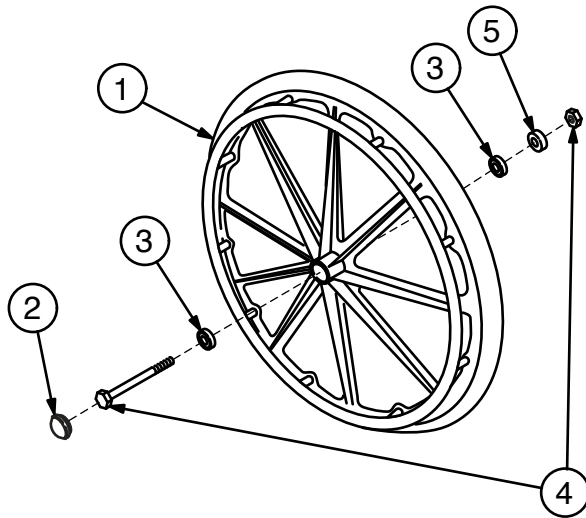
- 1 Arm, detachable fixed-height, pair (includes right and left arm with side panel and spring lock (does not include arm pad))
 - Desk length..... 90763020A
 - Full length..... 90763021A
- 2 Arm pad, pair (includes two black arm pads and mounting screws)
 - Desk length..... 90763022A
 - Full length..... 90763023A
- 3 Spring lock (10 each) 90763024A

CASTER



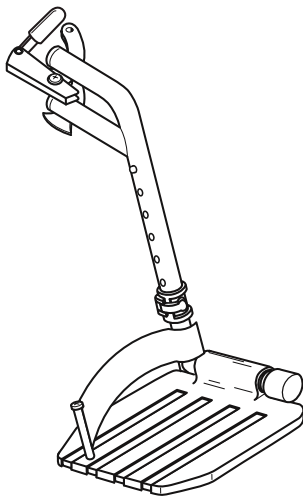
- Complete caster (fork and wheel), 8" x 1" solid rubber tire..... 90763040A
- 1 Caster wheel, axle and nut 90763041A
- 2 Caster fork, stem nut and dust cap 90763042A
- 3 Caster stem bearing (10 each) 90763043A
- 4 Caster dust cap (10 each)..... 90763044A
- 5 Caster axle and nut (10 each)..... 90763045A

REAR WHEEL



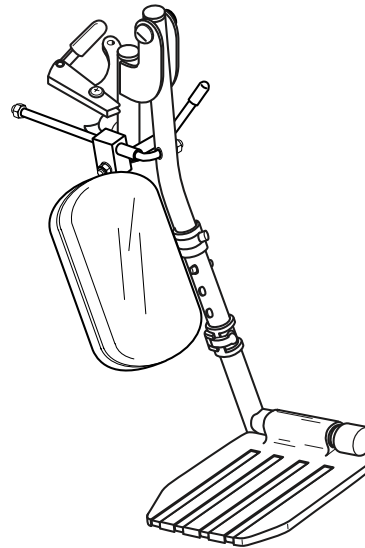
- | | |
|--|-----------|
| 1 Rear wheel with handrim, 24" x 1", solid rubber tire (includes hub cap and bearing; does not include axle or nut)..... | 90763050A |
| 2 Hub cap (10 each)..... | 90763051A |
| 3 Wheel bearing (10 each) | 90763052A |
| 4 Rear axle and nut (10 each) | |
| Fixed-arm sideframe | 90763053A |
| Detachable-arm sideframe | 90763054A |
| 5 Spacer (10 each)..... | 90763055A |

FRONT RIGGING, DETACHABLE



Footrest, pair, all widths
Includes right and left hanger with release and composite footplate with extension and heel loop 90763030A

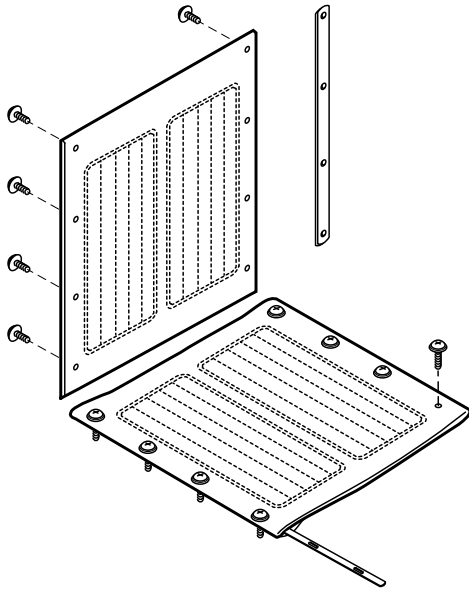
Composite footplate, pair
(Fits all front rigging) 90763033A



Low-pivot elevating legrest, pair, all widths
Includes right and left hanger with release, composite footplate with extension, and legrest panel (does not include heel loop) 90763031A

Elevating legrest panel kit
(Fits all elevating legrests)
Includes 2 black padded panels and hardware90763032A

UPHOLSTERY



Back upholstery, black leatherette, with built-in chart holder (includes mounting strips and hardware)

- 16" Wide 907630A1A
- 18" Wide 907630A2A
- 20" Wide 907630A3A

Seat upholstery black leatherette, 16" deep (includes mounting strips and hardware)

- 16" Wide 907630B1A
- 18" Wide 907630B2A
- 20" Wide 907630B3A

ACCESSORIES

Traveler SE Plus accessories (not shown)

- 1 Heel loop, pair..... 90763064A
- 2 Wheel lock, pair (includes rubber tips)
 - Fixed-arm chair, push to lock 90763070A
 - Detachable-arm chair, push to lock 90763060A
- 3 Rubber tip, wheel lock (10 each)..... 90763063A
- 4 Wheel lock extension, pair 90763062A
- 5 Positioning belt
 - metal buckle 92133040
 - auto style 300-505
- 6 Anti-Fold bar 92523850
- 7 O2-IV holder B10320F
- 8 O2 cylinder holder B10325
- 9 Anti-Tippers (pair) 90763230A



1.770.368.4700

Information contained herein is subject to change.

The most current and complete product information can be found on our website.

www.grahamfield.com

Follow us on



© 2019, GF Health Products, Inc. All Rights Reserved.

Everest & Jennings and Traveler are trademarks of GF Health Products, Inc.,
One Graham-Field Way, Atlanta GA 30340-3140

GF Health Products, Inc. is an ISO 13485 Certified Company.